



RECEIVED DEC 04 2013

November 22, 2013

Attn. Andrea Clausen  
Graber Manufacturing Inc  
dba Madrax  
1080 Uniek Dr  
Waunakee WI 53597

SUBJECT: RFB NO. 14-5290 for ARCHITECTURAL COMPONENTS, OUTDOOR FURNITURE AND  
FIXTURES AND/OR WASTE AND RECYCLING ENCLOSURE

Dear Vendor:

The University is awarding a contract to GRABER MANUFACTURING INC (dba MADRAX), subject to receipt by the University of the following document(s):

1. One signed and dated original copy of the contract.

By signing the attached contract and returning the document to this office via U.S. mail (21 N. Park Street, Suite 6101, Madison, WI 53715-1218), fax (608-262-4467) or e-mail ([ckringle@busssvc.wisc.edu](mailto:ckringle@busssvc.wisc.edu)), one copy, as accepted and executed by University, will be returned for your file.

Failure to furnish this document by **November 29, 2013** may result in cancellation of further contract award consideration. If you are unable to meet this date or if you have questions, please contact me at 608-262-5321 or e-mail ([ckringle@busssvc.wisc.edu](mailto:ckringle@busssvc.wisc.edu)).

Sincerely,

*Crescent Kringle*

Crescent Kringle  
Purchasing Agent

KGL/Dyw

**PURCHASING SERVICES**

University of Wisconsin-Madison • 21 N Park St, Suite 6101 • Madison, WI 53715 1218  
608/262-5321 • (Fax) 608/262-4467 • [www.busssvc.wisc.edu](http://www.busssvc.wisc.edu) • [ckringle@busssvc.wisc.edu](mailto:ckringle@busssvc.wisc.edu)

November 22, 2013

CONTRACT

CONTRACT NO.: 14-5290  
COMMODITY OR SERVICE: ARCHITECTURAL COMPONENTS, OUTDOOR FURNITURE AND FIXTURES AND/OR WASTE AND RECYCLING ENCLOSURE  
PERIOD OF CONTRACT: November 1, 2013 through October 31, 2014 with automatic renewal extensions to October 31, 2016, unless amended, cancelled or rebid.

This Agreement is entered into between the University of Wisconsin-Madison (hereinafter called "University") and GRABER MANUFACTURING INC (dBA MADRAX).

Whereas the University issued a Request for Bid (RFB) dated October 10, 2013; and

Whereas the University wishes to award a contract pursuant to that process; and

Whereas GRABER MANUFACTURING INC (dBA MADRAX) wishes to provide product and services requested in the RFB;

NOW, THEREFORE, in consideration of the mutual promises, covenants, and agreements hereinafter set forth, GRABER MANUFACTURING INC (dBA MADRAX) and the University do hereby agree as follows:

1. GRABER MANUFACTURING INC (dBA MADRAX) agrees to supply such commodity or service in accordance with the terms, conditions, and specifications of the RFB, including appendices and amendments, and GRABER MANUFACTURING INC (dBA MADRAX)'s response (Response). The RFB and Response are incorporated and made a part of this contract.
2. The terms of this agreement shall follow this order of precedence:
  - The specific terms and conditions stated herein.
  - Original Request for Bid (RFB) Number 14-5290, including appendices/amendments.
  - Contractor's response to RFB.
  - Official Purchase Order (when applicable).
3. This Agreement may be amended only by written agreement of the parties.

(Signature Block on the following page)



**WISCONSIN**  
UNIVERSITY OF WISCONSIN-MADISON

CONTRACT NUMBER 14-5290  
REPLACES 11-5290  
November 29, 2013

\*\*\*\*\*

COMMODITY OR SERVICE: ARCHITECTURAL COMPONENTS, OUTDOOR FURNITURE AND FIXTURES AND/OR WASTE AND RECYCLING ENCLOSURES

SCOPE: Contract for the purchase of Architectural Components, Outdoor Furniture and Fixtures and/or Waste and Recycling Enclosures.

This contract is designed to offer users a variety of manufacturers and distributors from which they can purchase architectural components, outdoor furniture and fixtures and/or waste and recycling enclosures. The manufacturers identified are anticipated for possible use for upcoming projects on the University of Wisconsin-Madison campus.

**NOTE:** The University of Wisconsin Madison is currently completing design and construction for a variety of campus buildings, both new and renovated. It has been determined and is anticipated that the University may purchase products from manufacturers identified. The manufacturers listed have been chosen based on research completed by staff regarding product availability, performance, quality and unique features offered.

ELIGIBLE PURCHASERS: Non-restricted

COOPERATIVE PURCHASING: YES

CONTRACT PERIOD: The initial term of this contract shall be November 1, 2013 through October 31, 2014. This contract will be automatically renewed for two additional one-year terms, unless Purchasing is notified, in writing, by the Contractor; or notifies the Contractor, in writing, 30 calendar days prior to expiration of the initial and/or succeeding Contract term(s).

CONTRACT ORIGIN: UW-Madison, Purchasing Services Department

CONTACT PERSON (UW): For further information or to report problems concerning this contract, contact Crescent Kringle, at (608) 262-5321 [ckringle@busssvc.wisc.edu](mailto:ckringle@busssvc.wisc.edu)

NOTE TO VENDORS: You are being sent this copy of your portion of the University of Wisconsin's contract publication for your review. This is what will appear on our website for our users. Please check for accuracy and return any comments/corrections to the agent listed.

\*\*\*\*\*

**PURCHASING SERVICES**

University of Wisconsin-Madison • 21 N Park St, Suite 6101 • Madison, WI 53715 1218  
608/262-5321 • (Fax) 608/262-4467 • [www.busssvc.wisc.edu](http://www.busssvc.wisc.edu) • [ckringle@busssvc.wisc.edu](mailto:ckringle@busssvc.wisc.edu)

\*\*\*\*\*

VENDOR NUMBER & FEIN NUMBER: 129343 39-1660461

VENDOR NAME/ADDRESS: GRABER MANUFACTURING INC (dba Madrax)
1080 UNIEK DR
WAUNAKEE WI 53597

Website: www.madrax.com

SALES REPRESENTATIVE: NAME: Andrea Clausen PHONE #: 800-448-7931 / 608-849-1080 FAX #: 608-849-1081
E-mail: aclausen@madrax.com andreac@thomassteele.com

Invoice Information: PHONE #: 800-448-7931 / 608-849-1080 FAX #: 608-849-1081
Ordering/Expediting: 800-448-7931 / 608-849-1080 608-849-1081
Returns: 800-448-7931 / 608-849-1080 608-849-1081
Supplier Diversity Reporting: 800-448-7931 / 608-849-1080 608-849-1081

MANUFACTURER(S) REPRESENTED: GRABER MANUFACTURING INC (dba MADRAX)

NIGP CODE NUMBER: 415-26 / 420-64 / 420-65 / 650-06

F.O.B: "D" F.O.B. DESTINATION, FREIGHT PREPAID AND ALLOWED

TERMS: N/30

DELIVERY TIME: 28-35 days / smaller orders: 21-28 days

BLURB NUMBER: NONE

MINIMUM ORDER: None

INVOICING: Invoices shall reflect contract pricing.

WARRANTY: 1 year - parts and labor; 5 years - galvanized / 20 years - structural

RETURN POLICY: Contractor will provide for return of items ordered in error for up to 30 calendar days from receipt with the University paying only the return shipping costs.

BACK ORDERS: Will notify ordering department within 24 hours of order/release.

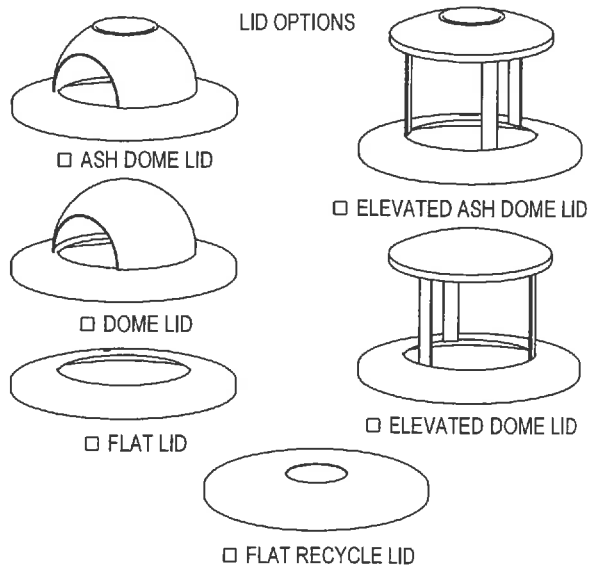
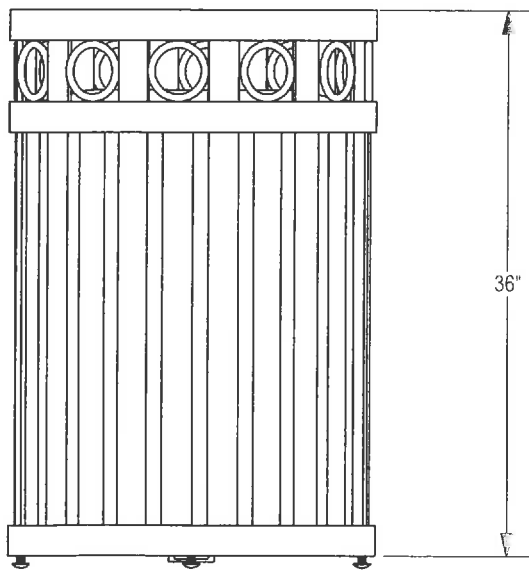
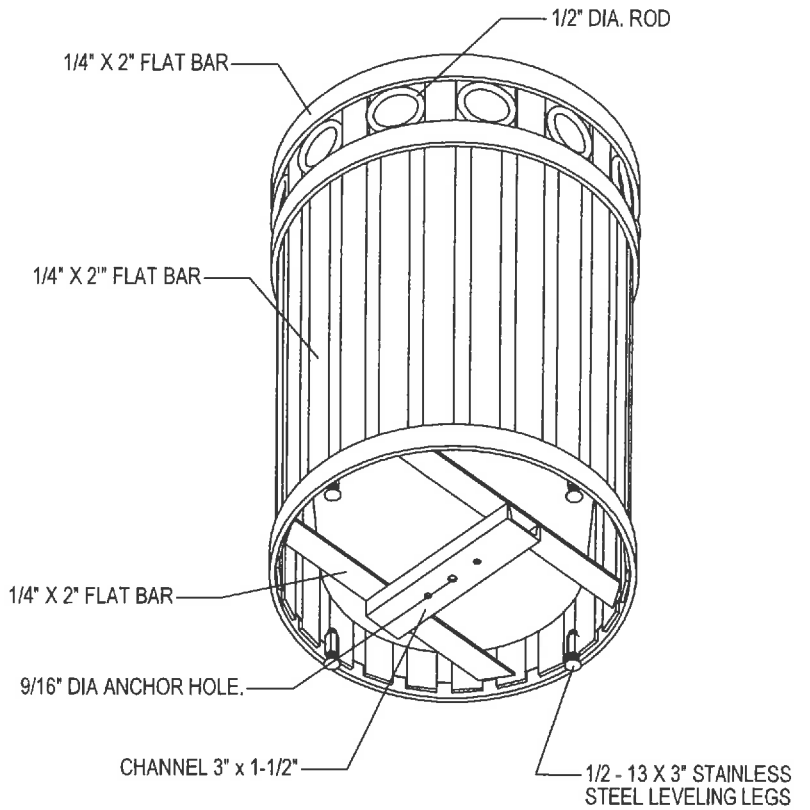
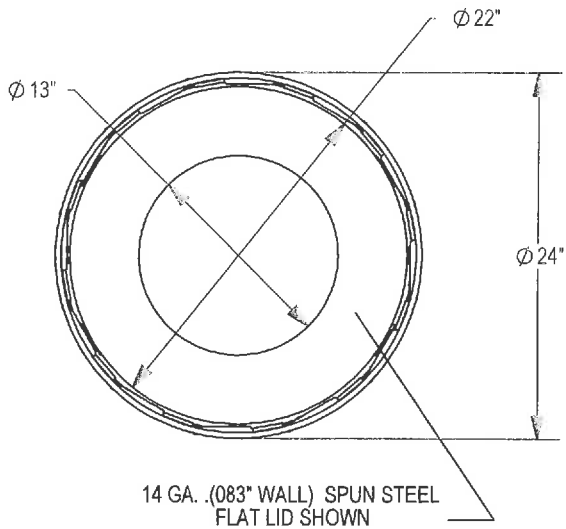
ITEM DESCRIPTION & PRICING: SEE NEXT PAGE

\*\*\*\*\*

ITEM	MANUFACTURER:	FOB DESTINATION DOOR DELIVERY DISCOUNT	FOB INSTALLED DISCOUNT
8.	<p><b>GRABER MANUFACTURING INC (dba MADRAX)</b></p> <p>Warranty: Delivery ARO* 28-35 days / smaller orders: 21-28 days Price List effective 11/5/13 (Catalog 1210)</p> <p>*Non-catalog website, specifically designed Regent Racks for the UW Madison. Previously negotiated prices with UW Transportation</p>	23% off	N/A



THOMAS STEELE DIVISION  
 GRABER MANUFACTURING, INC.  
 1080 UNIEK DRIVE  
 WAUNAKEE, WI 53597  
 P(800) 448-7931, P(608) 849-1080, F(608) 849-1081  
 WWW.MADRAX.COM, E-MAIL: SALES@MADRAX.COM



PRODUCT: GRTR-36  
 DESCRIPTION: GRAMERCY TRASH RECEPTACLE 36 GAL.  
 DATE: 1-22-15  
 ENG: SMC

TRASH LIDS ARE ATTACHED WITH STAINLESS STEEL VINYL COATED CABLE. PLASTIC LINER INCLUDED.

CONFIDENTIAL DRAWING AND INFORMATION IS NOT TO BE COPIED OR DISCLOSED TO OTHERS WITHOUT THE CONSENT OF GRABER MANUFACTURING, INC. SPECIFICATIONS ARE SUBJECT TO CHANGE WITHOUT NOTICE.

SITE FURNISHING IS POWDER COATED WITH TGIC POLYESTER. STEEL SURFACE PREP INCLUDES MECHANICAL AND CHEMICAL ETCHING FOLLOWED WITH A COATING TO IMPROVE ADHESION AND CORROSION RESISTANCE.



THOMAS STEELE DIVISION

GRABER MANUFACTURING, INC.

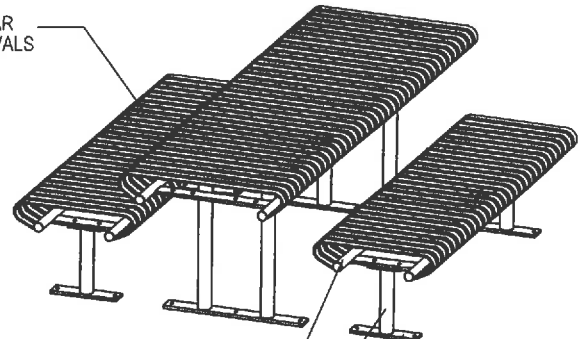
1080 UNIEK DRIVE

WAUNAKEE, WI 53597

P(800) 448-7931, P(608) 849-1080, F(608) 849-1081

WWW.MADRAX.COM, E-MAIL: SALES@MADRAX.COM

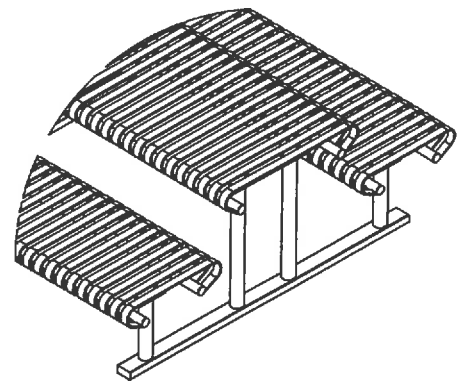
1/4 X 1 1/2" FLAT BAR  
SPACED AT 1" INTERVALS



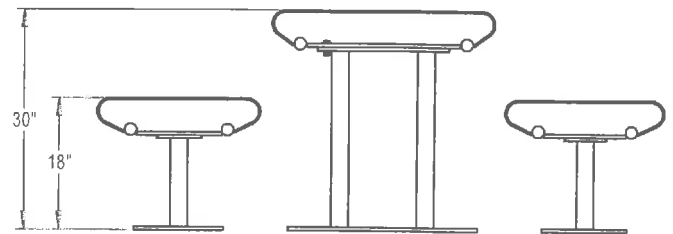
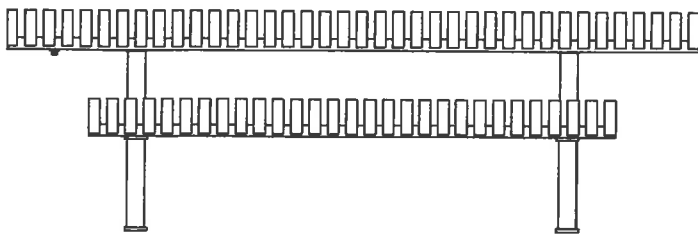
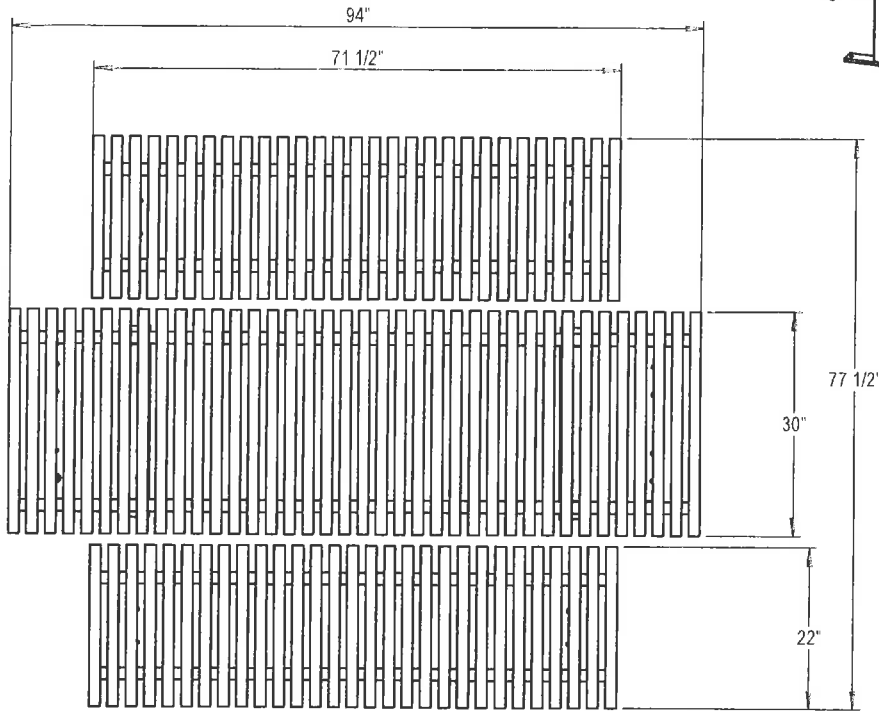
1 5/8" OD TUBING

2 3/8" OD TUBING

1/2 X 3" FLAT BAR  
WITH Ø 9/16" MOUNTING HOLES



□ FREESTANDING OPTION



PRODUCT: CRTP-8HCS  
DESCRIPTION: ADA CARNIVAL PICNIC TABLE SET

DATE: 1-23-15  
ENG: SMC

CONFIDENTIAL DRAWING AND INFORMATION IS NOT TO BE COPIED OR DISCLOSED TO OTHERS WITHOUT THE CONSENT OF GRABER MANUFACTURING, INC. SPECIFICATIONS ARE SUBJECT TO CHANGE WITHOUT NOTICE.

©2015 GRABER MANUFACTURING, INC. ALL PROPRIETARY RIGHTS RESERVED.

ALL FASTENERS ARE STAINLESS STEEL  
SOME ASSEMBLY REQUIRED

SITE FURNISHING IS POWDER COATED WITH TGIC POLYESTER. STEEL SURFACE PREP INCLUDES MECHANICAL AND CHEMICAL ETCHING FOLLOWED WITH A COATING TO IMPROVE ADHESION AND CORROSION RESISTANCE.



THOMAS STEELE DIVISION

GRABER MANUFACTURING, INC.

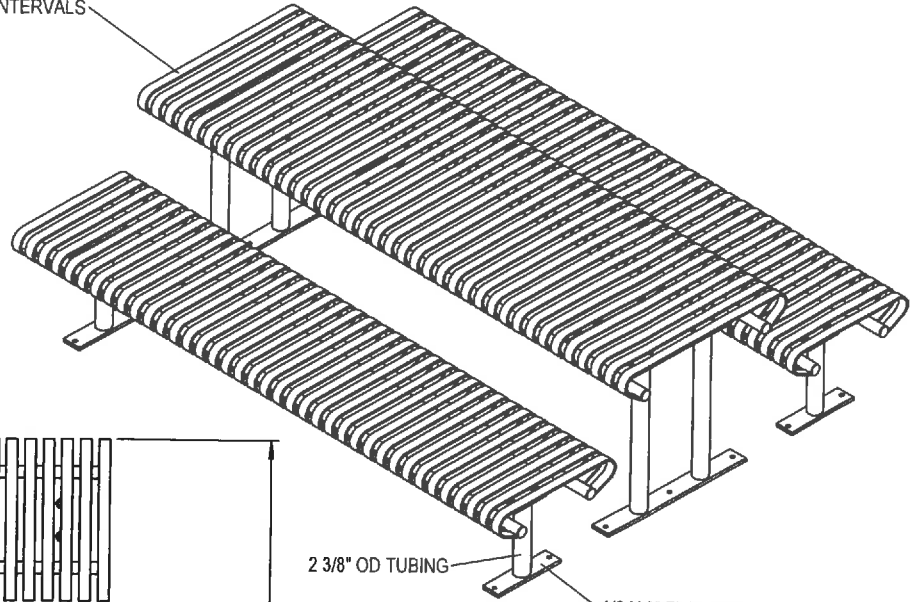
1080 UNIEK DRIVE

WAUNAKEE, WI 53597

P(800) 448-7931, P(608) 849-1080, F(608) 849-1081

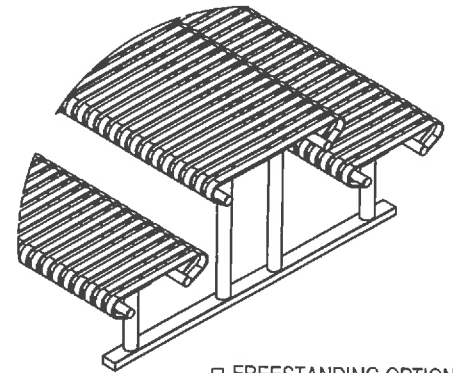
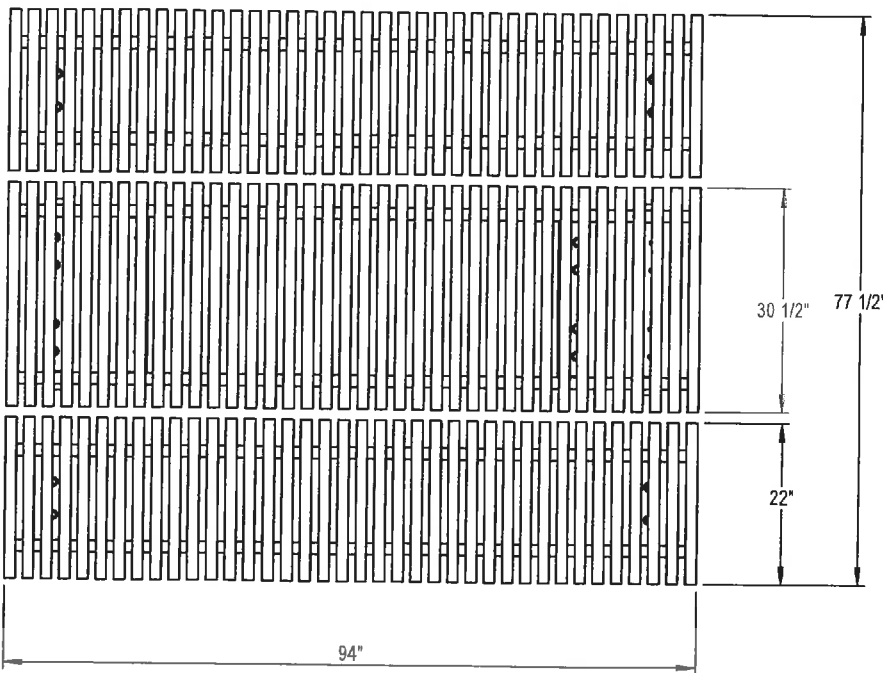
WWW.MADRAX.COM, E-MAIL: SALES@MADRAX.COM

1/4 X 1 1/2" FLAT BAR  
SPACED AT 1" INTERVALS

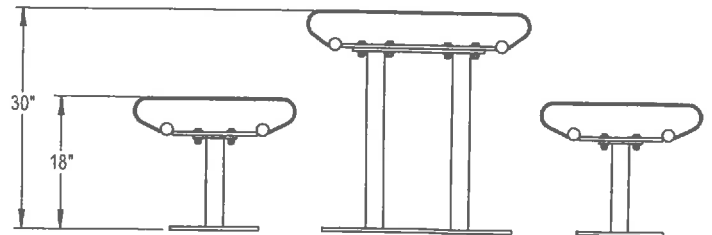
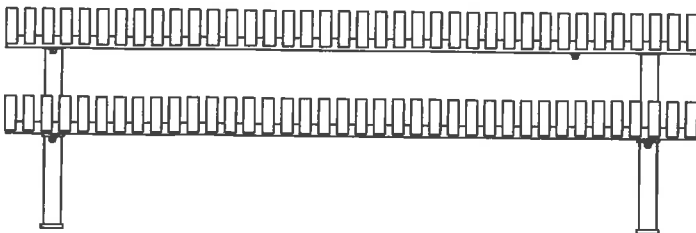


2 3/8" OD TUBING

1/2 X 3" FLAT BAR  
WITH Ø 9/16" MOUNTING HOLES



□ FREESTANDING OPTION



PRODUCT: CRTP-8S  
DESCRIPTION: CARNIVAL PICNIC TABLE SET, 8 FT

DATE: 1-23-15  
ENG: SMC

CONFIDENTIAL DRAWING AND INFORMATION IS NOT TO BE COPIED OR DISCLOSED TO OTHERS WITHOUT THE CONSENT OF GRABER MANUFACTURING, INC. SPECIFICATIONS ARE SUBJECT TO CHANGE WITHOUT NOTICE.

©2015 GRABER MANUFACTURING, INC. ALL PROPRIETARY RIGHTS RESERVED.

ALL FASTENERS ARE STAINLESS STEEL  
SOME ASSEMBLY REQUIRED

SITE FURNISHING IS POWDER COATED WITH TGIC POLYESTER. STEEL SURFACE PREP INCLUDES MECHANICAL AND CHEMICAL ETCHING FOLLOWED WITH A COATING TO IMPROVE ADHESION AND CORROSION RESISTANCE.



# *e-Steel™ - ensuring excellence*

## *5-Year Warranty*

### *Understanding the e-Steel™ Difference*

Customers today demand higher quality and durability from the products they buy. Not only do they expect these products to perform well, but they want the finish to look good and resist corrosion for a much longer period of time. The 18 stage e-Steel™ finishing process offered by Thomas Steele is designed to do just that. The end result is a smooth, durable finish which allows site furnishings to look great and withstand high levels of corrosion from salt, chemicals, humidity, scratching, and impact, far surpassing conventional paint top coats.

At Thomas Steele, we undercoat our site furnishings using a state of the art e-coating with an epoxy resin water based paint for a process that produces a highly durable coating. When coupled with our electrostatically applied polyester topcoat, e-Steel™ will withstand a highly corrosive environment for the ultimate levels of protection and performance. This is why Thomas Steele can offer an **unsurpassed industry-leading five year warranty.**

### *The E-Coating Process*

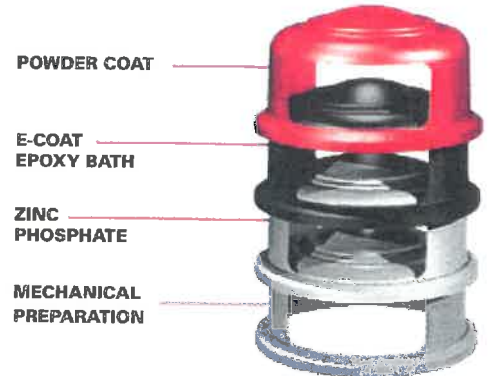
E-coating is a method of using electrical current to deposit organic paint on a metal surface. It is based on the fundamental physics principle that opposites attract. The metal parts are charged with a direct current and then immersed in a bath that has oppositely charged epoxy paint particles in it. E-coating allows every corner, crack, and crevice to have a continuous even coating over the entire surface of the part. E-coating is a wet paint process used on many products because of its unique ability to resist chipping, scratching, rusting, and the like. The electrocoat paint covers and protects the entire part of the product so that even corners, edges, and recessed areas are completely protected. This is important because areas of site furnishings that are not properly protected in the first place are the parts most susceptible to rust and corrosion.

E-coating is used on many products you own! In fact, today, approximately 99% of all new cars manufactured are e-coated then top coated with the color of choice. Epoxy e-coatings define the global benchmark in demanding environments where corrosion resistance must be maximized.

Environmental awareness is another reason to e-coat. The e-Steel™ process is environmentally friendly because it produces little or no HAPs (hazardous air pollutants), ultra-low VOCs (volatile organic compounds), and is OSHA and EPA compliant as well. E-coat systems recycle, too! Virtually all unused paint is recovered and put back into the system.

The e-Steel™ process also offers extremely high repeatability of results and is a natural fit for steel parts of all shapes, sizes, gauges, and grades due to an inherent property electrocoating offers called "throwpower." This is the ability to throw paint into recessed areas leading to a total 100% part coverage.

### *e-Steel™ Metal Finishing*



*Zinc Phosphate Bath*



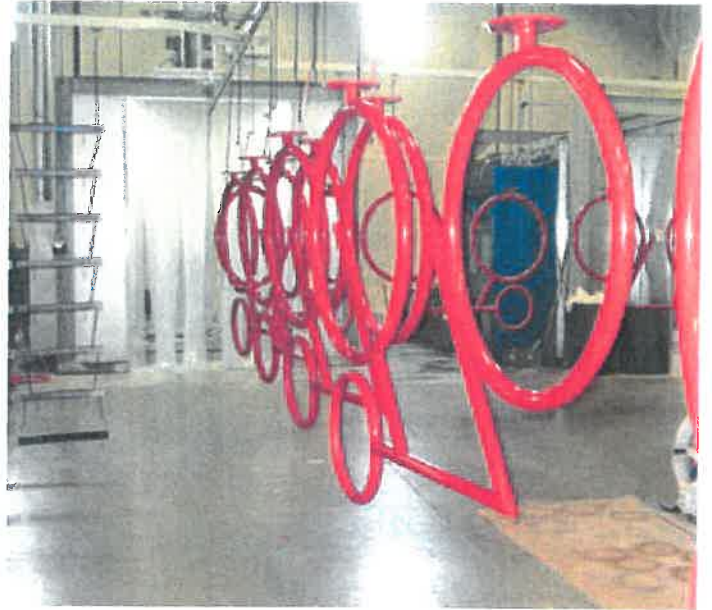
*E-Coating Bath*



## *Powder Coating*

Powder coating is an advanced method of applying a decorative and protective finish to a wide range of materials and products that are used by both industries and consumers. The result is a uniform, durable, high-quality, and attractive finish. Powder is a dry coating. Instead of being dissolved or suspended in a liquid medium, such as a solvent or water, powder is applied in a granular form. This material is finer than ground pepper but is coarser than flour, and is applied directly to the surface to be coated.

The application process involves applying a charge to the dry powder particles and spraying them onto an oppositely charged part. The powder, once attracted to the part, is then held on the surface until it is melted and cured into a smooth coating film in the bake oven. The spray process then takes place inside a booth designed to contain the oversprayed powder and makes it possible to collect the overspray and ultimately recycle it for reuse. After the powder is applied to the part, the part then passes through an oven and cures, melting into a smooth film on the surface of the part.



*Powder Coating*

## *The End Result – e-Steele™ for Excellence!*

For for the ultimate performance and surface protection that can withstand years of service, the answer is the combination of e-Steele™ and powder coating. The very nature of the e-coat process gives way to many benefits for a powder topcoat. e-Steele™ uniformly coats every crevice and crack and has the cosmetic advantage of no drips, runs, or other common coating defects. The marriage of e-coating followed by powder coating provides a final product that has outstanding corrosion resistance with a top quality finish that will withstand the harshest of environments. In addition to providing a classic combination of quality and performance, e-coating followed by powder coating performs in a world of increasing environmental regulations and reflects the ever-growing awareness that this technology is also protective of the world in which we live. For the ultimate levels of protection and performance backed by our **unsurpassed industry-leading five year warranty**, choose e-Steele™ for excellence!



## LIMITED WARRANTIES

The following Express Limited Warranty supplements the terms and conditions of our Quotation, Order Acknowledgement, and/or Invoice.

IN LIEU OF ALL OTHER WARRANTIES, EXPRESS OR IMPLIED, INCLUDING MERCHANTABILITY AND FITNESS FOR A PARTICULAR PURPOSE, GRABER MANUFACTURING, INC. PROVIDES THE FOLLOWING LIMITED WARRANTY.

Madrax division of Graber Manufacturing, Inc., Inc. ("Madrax") warrants products it manufactures against defects in materials or workmanship for a period of **one year** from the date of invoice.

Madrax warrants its bicycle lockers against structural failure for a period of **one year** from the date of invoice.

Madrax warrants its hot dipped galvanized and stainless steel products against corrosion for a period of **five years** from the date of invoice.

Madrax warrants its bicycle repair pump against defect for **one year**.

Thomas Steele division of Graber Manufacturing, Inc., Inc. ("Thomas Steele") warrants products it manufactures against defects in material or workmanship for a period of **five years** from the date of invoice.

Thomas Steele warrants its umbrellas against structural failure for a period of **one year** from the date of invoice.

Madrax and Thomas Steele warrant their metal products against structural failure for a period of **twenty years** from the date of invoice.

Madrax and Thomas Steele warrant their recycled plastic against rotting, splitting or cracking for a period of **twenty years** from the date of invoice.

Madrax and Thomas Steele warrant their components that are wood or cosmetic in nature against defects in material or workmanship for a period of **one year** from the date of invoice. Splitting, checking, and warping of wood are natural occurrences of wood and are not covered by this warranty.

Madrax and Thomas Steele warrant custom products on a per product basis.

These warranties do not cover any defects or failure due to vandalism, negligence, abuse, accidents, lack of maintenance or improper installation.

Unless previously approved, in writing by Graber Manufacturing, Inc., this warranty does not cover any defects or failure due to products tampered with or altered, modified or repaired by anyone.

### **Specific Conditions and Limitations:**

1. Warranties only apply to products on invoices paid within Graber Manufacturing, Inc.'s terms and conditions.
2. Damages resulting in whole or in part from natural disasters, including fire, wind, acts of war, terrorism, or nuclear disaster are not covered by the warranty.
3. The warranty will not apply if Graber Manufacturing, Inc. is not notified within 10 calendar days of product failure.
4. This warranty is subject to the duty of the buyer and any subsequent purchaser or user to inspect the product before installation for defects, including defects or damage which may have been incurred on-site or in transportation. Any failure to completely inspect the product will void this Warranty.
5. Graber Manufacturing, Inc.'s obligation under this warranty will be limited to repair or replacement, at Graber Manufacturing, Inc.'s option, of products found in Graber Manufacturing, Inc.'s reasonable judgment to have been defective in workmanship or materials. Transportation charges for return of the alleged defective product will be assumed by Graber Manufacturing, Inc. only if returned by the buyer in strict accordance with written instructions of Graber Manufacturing, Inc. and at Graber Manufacturing, Inc.'s request. Graber Manufacturing, Inc. will assume transportation charges for shipment of repaired or replaced product to the buyer, but will not be responsible for the cost of labor for removal or installation of the alleged defective product or any replacement.
6. All claims made under the terms of this warranty must be received in writing along with a copy of the original invoice. Claims must be sent to Graber Manufacturing, Inc., Inc., 1080 Uniek Drive, Waunakee, WI 53597.

The warranties described herein shall be the sole and exclusive Warranties granted by Graber Manufacturing, Inc., Inc. and shall be the sole and exclusive remedy available to the purchaser. Correction of defects, in the manner and for the period of time described herein, shall constitute complete fulfillment of all liabilities and responsibilities and responsibilities of Graber Manufacturing, Inc., Inc., to the purchaser with respect to the product and shall constitute full satisfaction of all claims, whether based on contract, negligence, strict liability or otherwise. In no event shall Graber Manufacturing, Inc., Inc. be liable, or in any way responsible, for any damages or defects in the product which were caused by repairs or attempted repairs performed by anyone other than an authorized servicer. Nor shall Graber Manufacturing, Inc., Inc. be liable, or in any way responsible, for any incidental or consequential, economic or property damage.

9/9/15

**Graber Manufacturing, Inc.**  
**1080 Uniek Drive, Waunakee, WI 53597 USA**

Sheet  
H-401



site furnishings for a Lifetime™

800.448.7931 | Login  Search

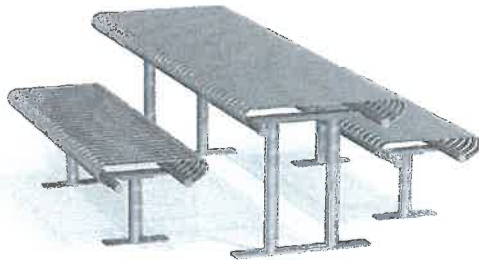
Benches Chairs Litter Receptacles Planters Tables

Tables

Bring people together around a **Thomas Steele table**. Our handcrafted café, picnic, and bistro tables set the standard for quality construction, durability, and design. With 20 family styles and the option of coating your piece in our patented e-Steel™ finish, there is a Thomas Steele table that will meet your needs and expectations. Browse our current selection of commercial picnic tables, and contact a Thomas Steele site furnishings expert at 608-849-1080 or at sales@thomas-steele.com with your questions and design needs.

Carnival™ Picnic Table (With Seats)

SKU/EAN CRTP



Select Options

- Length (ft)
  - 6
  - 8
  - 8 Handicapped (6 ft seats)
- Mounting Options:
- Metal Finish:  Powder Coated e-Steel™

Quantity  [Get Quote](#)

(19) 8' LONG - BENCH 8' LONG  
(5) ADA TABLES - 3' 1000  
8' EXTERNS

Overview Specifications / Drawings Materials / Colors Freestanding Option

The playful style of the Carnival™ picnic table is compatible with any setting. The Carnival picnic table is available in either 6, 8 or 8ft ADA length. The table is constructed with the following materials: 1/4" X 1 1/2" steel bar with 3/8" flanges and steel plate for the top of the table, and 2" X 2" and 2" X 3" angle. 1/2 X 3 flat bar with 4" and 3" square tubing makes up the frame of the table. The table comes either in-ground, surface mounted or free-standing.

\*Benches included with table. For table only options please visit the Carnival™ Picnic Table (Table Only) page.

Shop Our Site  
Furnishings  
Benches  
Litter Receptacles  
Planters  
Tables  
Chairs  
Custom Furniture  
Madrax Bike Racks

Our Customers  
Architects & Engineers  
Facility Owners & Managers  
Schools & Universities  
Municipalities

Thomas Steele  
Contact Us  
Limited Warranties  
Terms & Conditions  
Sales Representatives

Resources  
Industry Tips  
Request Literature  
Download Catalog with Pricing  
FAQ  
Links  
Ordering Information

Connect with us!





THOMAS STEELE DIVISION

GRABER MANUFACTURING, INC.

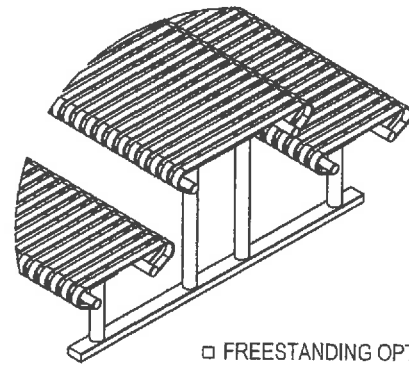
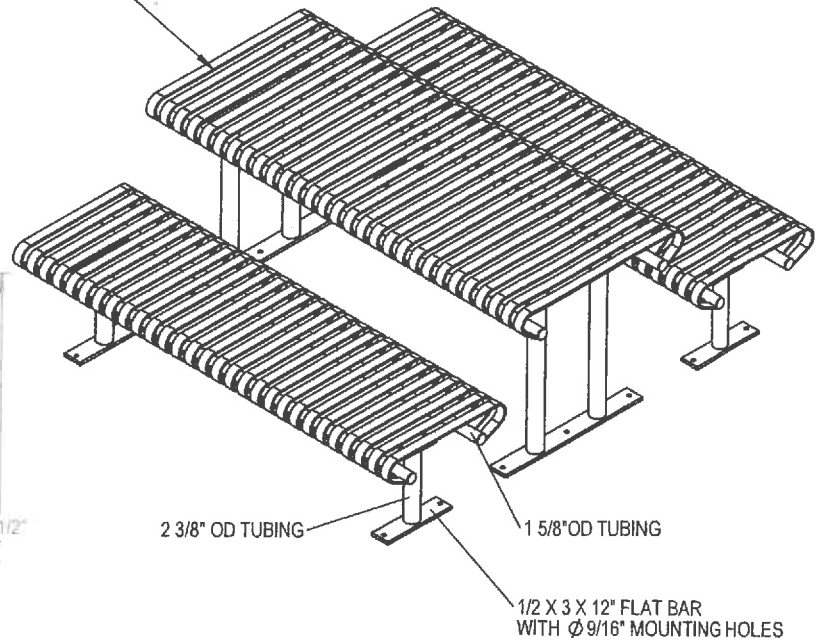
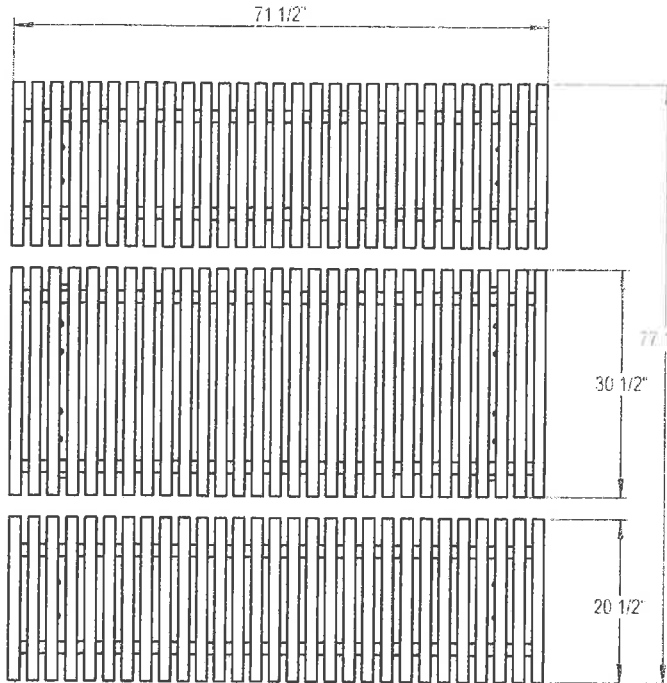
1080 UNIEK DRIVE

WAUNAKEE, WI 53597

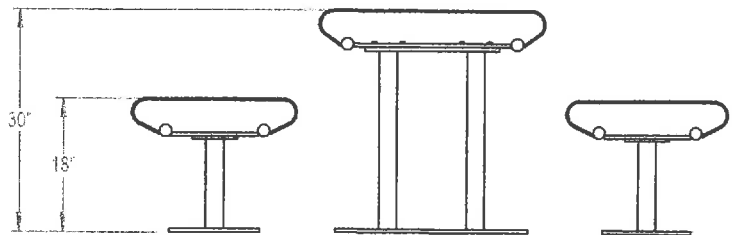
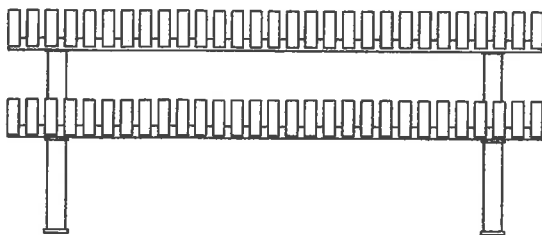
P(800) 448-7931, P(608) 849-1080, F(608) 849-1081

WWW.MADRAX.COM, E-MAIL: SALES@MADRAX.COM

1/4 X 1 1/2" FLAT BAR  
SPACED AT 1" INTERVALS



□ FREESTANDING OPTION



PRODUCT: CRTP-6S  
DESCRIPTION: CARNIVAL PICNIC TABLE SET, 6 FT

DATE: 1-23-15  
ENG: SMC

CONFIDENTIAL DRAWING AND INFORMATION IS NOT TO BE COPIED OR DISCLOSED TO OTHERS WITHOUT THE CONSENT OF GRABER MANUFACTURING, INC. SPECIFICATIONS ARE SUBJECT TO CHANGE WITHOUT NOTICE.

©2015 GRABER MANUFACTURING, INC. ALL PROPRIETARY RIGHTS RESERVED.

ALL FASTENERS ARE STAINLESS STEEL  
SOME ASSEMBLY REQUIRED

SITE FURNISHING IS POWDER COATED WITH TGIC POLYESTER. STEEL SURFACE PREP INCLUDES MECHANICAL AND CHEMICAL ETCHING FOLLOWED WITH A COATING TO IMPROVE ADHESION AND CORROSION RESISTANCE.

(5) BLACK PFC  
(200) RECYCLE



site furnishings for a Lifetime™

800.448.7931 | Login  Search

Benches Chairs Litter Receptacles Planters Tables

### Litter Receptacles

The eye-catching design and superior craftsmanship of Thomas Steele litter receptacles cause people to stop and stare. With hundreds of design options from finishes and style families to customization choices, Thomas Steele has a durable and striking receptacle that will enhance your space. Browse our current selection of outdoor and commercial trash receptacles, and contact a Thomas Steele site furnishings expert at 608-849-1080 or at sales@thomas-steele.com with your questions and design needs.

#### Gramercy™ Litter Receptacles (Vertical Straps)



SKU/EAN GRTR

#### Select Options

Gallons

- 32
- 36

Quantity  [Get Quote](#)

36 gals.  
NO DOOR.  
BLACK

(5) Recycle  
Lid  
(200) PFC

[Overview](#) [Specifications / Drawings](#) [Materials / Colors](#) [Lids](#) [Hinged Lid](#)

All Gramercy™ litter receptacles are constructed with the following components: Steel Vertical Strap Bands – ¼ x 2" Steel Bar Vertical Straps – ¼ x 2" Steel Bar Rings – ½" Diameter Steel Rod Base – ¼ x 2" and ¼ x 3" Steel Bar Gramercy™ litter receptacles are available in a 32 and 36 gallon capacity. There are also options for shrouds (only available without door option).

Shop Our Site  
Furnishings  
Benches  
Litter Receptacles  
Planters  
Tables  
Chairs  
Custom Furniture  
Madrax Bike Packs

Our Customers  
Architects & Engineers  
Facility Owners & Managers  
Schools & Universities  
Municipalities

Thomas Steele  
Contact Us  
Limited Warranties  
Terms & Conditions  
Sales Representatives

Resources  
Industry Tips  
Request Literature  
Download Catalog with Pricing  
FAQ  
Links  
Ordering Information

Connect with us!





THOMAS STEELE DIVISION

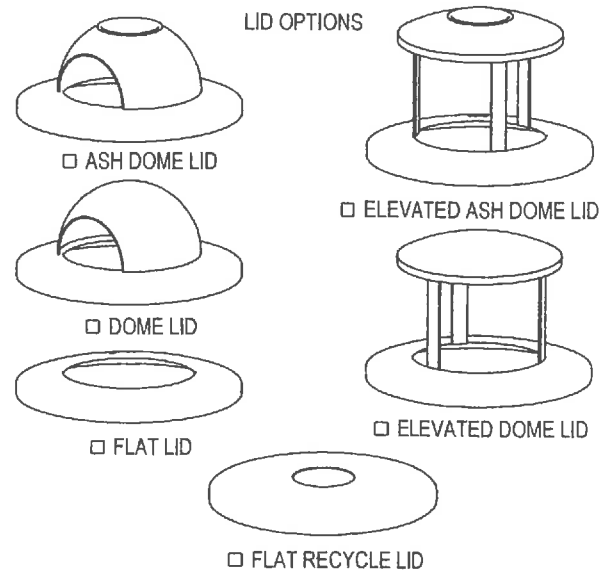
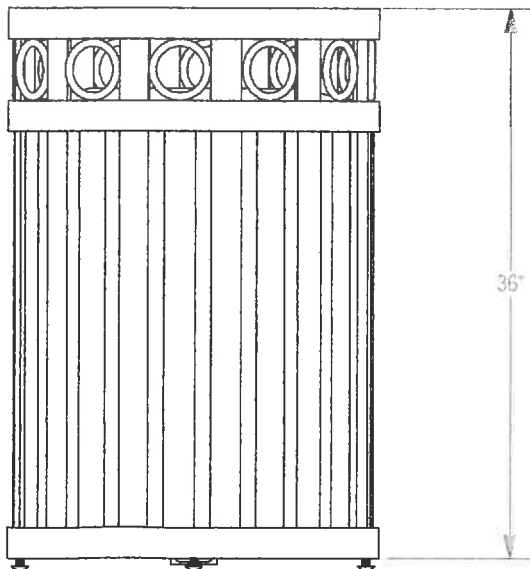
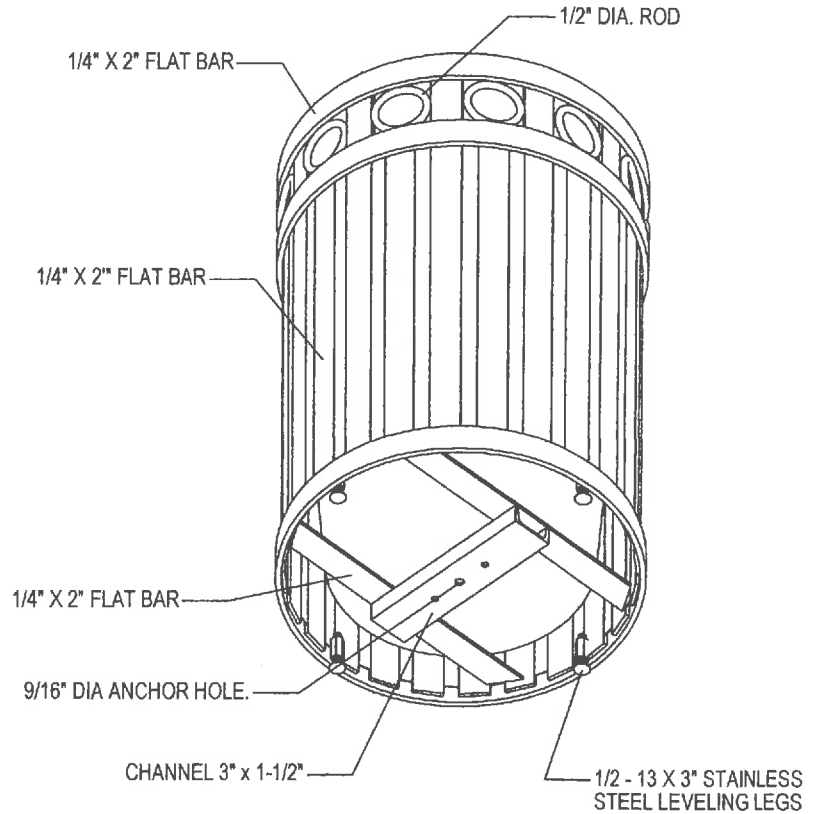
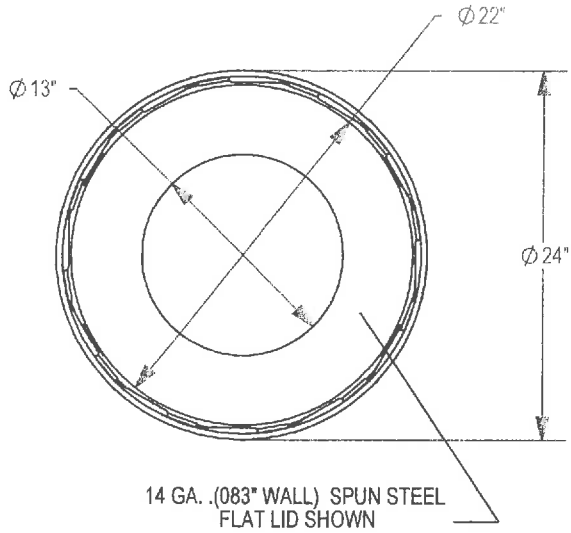
GRABER MANUFACTURING, INC.

1080 UNIEK DRIVE

WAUNAKEE, WI 53597

P(800) 448-7931, P(608) 849-1080, F(608) 849-1081

WWW.MADRAX.COM, E-MAIL: SALES@MADRAX.COM



PRODUCT: GRTR-36  
DESCRIPTION: GRAMERCY TRASH RECEPTACLE 36 GAL.  
DATE: 1-22-15  
ENG: SMC

TRASH LIDS ARE ATTACHED WITH STAINLESS STEEL VINYL COATED CABLE.  
PLASTIC LINER INCLUDED.

CONFIDENTIAL DRAWING AND INFORMATION IS NOT TO BE COPIED OR DISCLOSED TO OTHERS WITHOUT THE CONSENT OF GRABER MANUFACTURING, INC. SPECIFICATIONS ARE SUBJECT TO CHANGE WITHOUT NOTICE.

SITE FURNISHING IS POWDER COATED WITH TGIC POLYESTER. STEEL SURFACE PREP INCLUDES MECHANICAL AND CHEMICAL ETCHING FOLLOWED WITH A COATING TO IMPROVE ADHESION AND CORROSION RESISTANCE.

©2015 GRABER MANUFACTURING, INC. ALL PROPRIETARY RIGHTS RESERVED.