



# Customer Quotation

**Ship To:**

CITY OF NEW PT RICHEY  
 Attn: BILL GREGOIRE  
 6132 PINE HILL RD  
 PORT RICHEY, FL 34668-6760  
 US  
 Shipper Account:

**Information**

Grainger Quote Number 2040277056  
 Print Date 10/03/2019  
 Customer Account 810845255  
 Department Number  
 Contact Name BILL GREGOIRE  
 Contact Phone 7278531277  
 Contact Fax  
 Contact Email  
 Requested by Jeremiah Wyka  
 Requestor Phone No.  
 Requestor Fax  
 Requestor Email Jeremiah.Wyka@grainger.com

**eQuote Information:****Comments:**

Line	Description	MFG Part No	Lead Time Bus.days	Qty.	Unit	Quote Price	Extended Price
10		M-S30	100	1	EA	45,298.00	45,298.00
	MODEL S30 RIDER SWEEPER Mfr Brand Name TENNANT Customer Part No.: Carrier: 29811 - UPS GROUND Cost expiration date: 12/31/2019 Taxable: NO Notes: Machine as equipped Trim Level Base Power Source LPG LPG Tank Full UL/ETL Rating UL Type LP Safety Light Package Outdoor Side Brush Location Right Hand Seat Deluxe Seat with Armrests Front Tire(s) Solid Rubber Rear Tire(s) Solid Rubber Cleaning Tool Polypropylene and Wire Brush Side Cleaning Tool Polypropylene Brush Warranty Standard Warranty						

**Thank You!**  
 Call or visit us at  
**WW GRAINGER INC**  
 Grainger Sourcing  
 100 GRAINGER PKWY,  
 LAKEFOREST, IL 60045-5201



# Customer Quotation

## Information

Grainger Quote Number  
Print Date

dfdg 2040277056  
10/03/2019  
Customer Account 810845255  
Page 2 / 2

Operator Manual English  
Operator Video Yes  
Packaging Pad Wrap

Total Sell Price in USD  
45,298.00

This is not an invoice. Changes to product or quantities may result in different pricing. Availability and lead times are subject to change and can be confirmed at order placement. Additional lead time may apply for AK and HI. Unless otherwise stated, these items are sold for domestic consumption in the United States. If exported, purchaser assumes full responsibility for compliance with U. S. export control. Contact Sales Rep. or Grainger branch listed below for questions, order placement or to submit a new request. **Return Policy: Please contact Grainger before returning any product. All returns are subject to the manufacturer's return policy. Special Order items may not be returnable. Restocking fees may apply.**

This quote was sourced through National IPA CONTRACT #141003-  
MRO-MAINTENANCE, REPAIR AND OPERATIONAL SUPPLIES  
Competitively Solicited and Publicly Awarded by: City of Tucson, AZ  
Contract term: January 1, 2015 - December 31, 2019

Thank You!  
Call or visit us at  
WW GRAINGER INC  
Grainger Sourcing  
100 GRAINGER PKWY,  
LAKEFOREST, IL 60045-5201

# OMNIA

PARTNERS



The City of Tucson, Arizona has awarded Grainger a competitively solicited Maintenance, Repair and Operational Supplies contract (#141003) available through OMNIA Partners, Public Sector. Through this national cooperative contract, Grainger offers participants of OMNIA Partners a broad portfolio of products resulting in streamline, cost-effective solutions for MRO supplies, materials and accessories.

## ABOUT OMNIA PARTNERS

OMNIA Partners, Public Sector is the nation's largest and most experienced cooperative purchasing organization dedicated to public sector procurement. Our immense purchasing power and world-class suppliers have produced a comprehensive portfolio of cooperative contracts and partnerships, making OMNIA Partners the most valued and trusted resource for organizations nationwide.

## CONTRACT SERVICES AND BENEFITS

Maintenance, Repair and Operations MRO Contract #141003  
Contract Term: January 1, 2015 through December 31, 2019

- A total of 28 key categories represented with a minimum discount of 5% off of Grainger Contract Reference Price (CRP)
- Customizable 100 Item Hot List
- KeepStock® – A Managed Inventory Solution
- One-stop purchasing
- Local stocking
- On-hand inventory reduction
- Broad assortment of supplies
- Same-day shipping\*
- 24/7 online ordering on [grainger.com/omniapartnerspublic](http://grainger.com/omniapartnerspublic)
- Dedicated Grainger Government sales team
- No minimum order limits
- After-Hours Emergency Service – Call 1-800-CALL-WWG (1-800-225-5994) to open a branch anytime – even nights and weekends. (Free service under your Grainger/OMNIA Partners contract)

\*In-stock orders placed directly with a branch or on [Grainger.com](http://Grainger.com)® by 5pm local time Monday through Friday ship the same day within the Continental United States.

\*\*Inbound shipping method is UPS. There is no charge for standard purchases. See contract for details.

## DEEP DISCOUNTS ON:

- Air Filters
- Motors & Power Transmissions
- Cleaning Equipment & Supplies
- Personal Protective Equipment
- Lighting
- Tools
- Police, Fire, EMS Equip. & Supplies
- Batteries
- Electrical Supplies
- Pumps & Plumbing Supplies
- HVAC Equipment & Supplies
- Material Handling, Storage & Packaging
- Safety & Security Supplies
- Pneumatics
- Measuring Tools & Test Instruments
- Machining, Cutting & Welding
- Lubricants, Sealants & Paint
- Fasteners & Adhesives
- Outdoor Equipment & Supplies
- Lab Equipment & Supplies

## OMNIA PARTNERS PARTICIPANT INCENTIVE\*

Participants affiliated with the Grainger contract available through OMNIA Partners, Public Sector can earn an Incremental Growth Incentive, based on growing contract utilization. Eligible purchases are those purchases made directly with Grainger that exceed the direct member purchases made during the immediately preceding 12 month period (Jan 1 - Dec 31).

For eligible purchases between 10% and 19.99% growth, Grainger will pay a 1% percent Incremental Growth Incentive back to dollar \$1

For eligible purchases that meet or exceed 20% growth, Grainger will pay a 2% Incremental Growth Incentive back to dollar \$1

\*Minimum Qualifications Apply

Valid as of 10/1/2018

**Complete Listing of Current Grainger Distribution Centers and Master Branches**

<b>Grainger U.S. Distribution Centers (DCs) and Market Distribution Centers (Market DCs)</b>				
<b>Distribution Centers</b>				
<b>Name of Facility</b>	<b>Location (City and State)</b>	<b>Approximate Number of SKUs</b>	<b>Approximate Square Footage</b>	<b>Approximate Inventory Value</b>
Los Angeles DC	Mira Loma, CA	129,000	335,000	\$ 38,300,000
San Francisco DC	Patterson, CA	219,000	820,000	\$ 70,700,000
Dallas-Ft. Worth DC	Dallas, TX	136,000	360,000	\$ 60,300,000
Greenville DC	Fountain Inn, SC	280,000	1,200,000	\$ 108,000,000
Jacksonville DC	Jacksonville, FL	113,000	230,000	\$ 30,400,000
Kansas City DC	Kansas City, MO	135,000	1,300,000	\$ 48,800,000
Cleveland DC	Macedonia, OH	132,000	380,000	\$ 42,300,000
Minooka DC	Minooka, IL	400,000	1,100,000	\$ 126,700,000
New Jersey DC	Robbinsville, NJ	143,000	430,000	\$ 55,900,000
Southaven DC	Southaven, MS	108,000	230,000	\$ 31,000,000
Denver Mkt DC	Denver, CO	74,000	45,000	\$ 7,900,000
Plymouth Mkt DC	Plymouth, MN	90,000	35,000	\$ 12,100,000
Seattle Mkt DC	Seattle, WA	81,000	56,000	\$ 8,800,000

*(Figure 3.2 – Grainger DCs and Master Branches)*

- D. State any return and restocking policy and fees, if applicable, associated with returns.

**Return Policy**

**Grainger General Catalog Product** - Grainger will accept returns for new, damaged, or merchandise with defects in workmanship or materials, for a period of one year from the original date of purchase. Credit will be issued in the same form of payment as the original transaction. Grainger reserves the right to limit or refuse acceptance of return of certain products.

**Non-Grainger General Catalog (Sourced) Product** - Grainger may procure product not available through the Grainger General Catalog or Grainger.com for The City of Tucson or Participating Public Agency from other sources ("Sourced Product(s)"). Sourced Product is priced according to current market conditions on a per order basis, and is shipped F.O.B. origin. Any charges for Additional Freight Services would be paid by The City of Tucson or Participating Public Agency. A returned goods authorization must be issued by Grainger prior to returning any Sourced Product. A restocking fee may apply for any returned Sourced Product.

The City of Tucson or Participating Public Agency may contact their local Grainger branch or Account Manager to have questions answered or issues and problems resolved in a timely manner.



CREATING A CLEANER, SAFER, HEALTHIER WORLD.

EQUIPMENT



# S30

## MID-SIZED RIDER SWEEPER

- Provide excellent indoor and outdoor dust control with the SweepMax® Plus system
- Achieve consistent cleaning results in the toughest applications
- Ensure a healthy and safe environment with improved air quality
- Deliver easy operation and maintenance while running at peak performance

EXCELLENT INDOOR AND OUTDOOR DUST CONTROL WITH THE **SWEEPMAX® PLUS CYCLONIC SYSTEM** HELPS REDUCE COST TO CLEAN, IMPROVE FACILITY IMAGE AND PROVIDE A SAFE ENVIRONMENT



## THE S30 MID-SIZE RIDER SWEEPER DELIVERS EXCEPTIONAL DRY DUST CONTROL BENEFITS



### REDUCE COST TO CLEAN

Increase productivity with the patented SweepMax® Plus cyclonic dry dust control system that reduces dust from reaching the filter, resulting in fewer shake backs and more time spent sweeping.



### HEALTH & SAFETY

Reduce slip and fall potential by keeping floors clean of dust and debris with excellent dust control and debris pick-up.



### ENHANCE FACILITY IMAGE

Protect your facility, assets and merchandise from getting dirty or damaged by capturing dust and debris with effective patented SweepMax® Plus dust control system.



### EASY OPERATION & MAINTENANCE

Deliver consistent sweeping results with this easy-to-operate and maintain sweeper which runs at peak performance year after year with its quality engineering.

OPTIMIZED SWEEPMAX® PLUS DUST CONTROL SYSTEM OFFERS HIGHER CUSTOMER PRODUCTIVITY WITH LESS DUST GOING TO THE FILTER RESULTING IN FEWER SHAKE BACKS AND MORE TIME SPENT SWEEPING.



**PATENTED 3-STAGE SWEEPMAX® PLUS DUST CONTROL SYSTEM**  
S30 is the only sweeper with cyclonics pre-filter stage of dust control.

#### Stage 1 – Perma-Filter™

- Tennant engineered design helps keep bulky debris, moisture and dirt in the hopper removing 90% of particulates from the air stream.

#### Stage 2 – SweepMax® Plus Cyclonics

- Longer filter life with exclusive cyclonics dust control that removes an additional 90% of dust particles from the air stream before reaching the filter.
- Cleaner air to filter means more time between filter shakebacks, and more time spent sweeping.

#### Stage 3 – Canister Nanofiber Filter

- MERV 15-rated, flame retardant Donaldson Ultra-Web® filter loads and shakes-back 70% more effectively, and cleaner air from filtering sub-micron dust particulates up to .5 microns at 99% efficiency.
- Excellent vacuum fan protection with 80 ft<sup>2</sup> (7.5 m<sup>2</sup>) surface area.

#### REDUCE YOUR COSTS AND MAXIMIZE PRODUCTIVITY

- In-hopper filter housing has shorter path for air to travel and shakes-back dust directly into the hopper, so dust is evacuated when the hopper is dumped
- Quieter shakeback operation with in-hopper patented ShakeMax® 360 orbital shaker system
- No-tool access with latches that remove the cyclones in seconds
- Increase efficiency with monitoring from automatic notification and shaking (XP, X4)

INSIDE THE

# S30



Exclusive color coded brush wear indicator for correct brush position



Optional 1-Step™ start button simplifies operator training with controls that enable sweeping systems to be activated with a single green button

Simple "All-Levers Forward" control system delivers consistent sweeping results and simplifies operation

Exclusive cab forward design for reduced operator fatigue and increased comfort

Rounded corner design improves turn-off from walls or racking to minimize damage

II-Speed™ sweep system increases the speed of the main brush, side brush, and vacuum fan by 15%

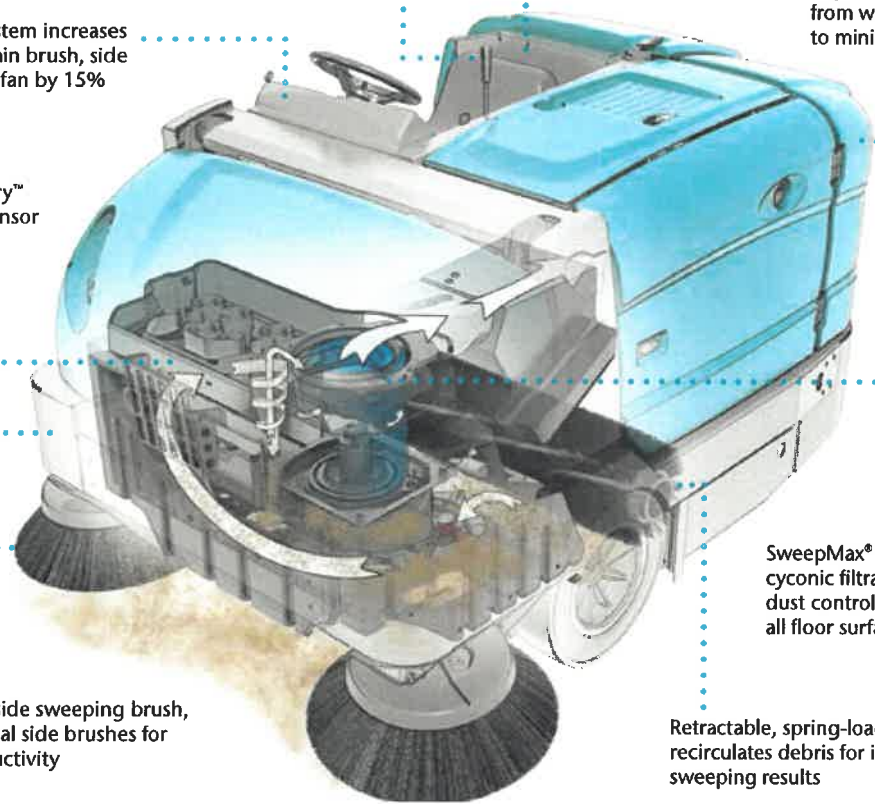
Standard Thermo-Sentry™ hopper temperature sensor

Heavy-gauge steel machine frame designed for long-term structural reliability and strength

Standard right-side sweeping brush, and optional dual side brushes for increased productivity

SweepMax® Plus provides cyclonic filtration and dry dust control for sweeping all floor surfaces

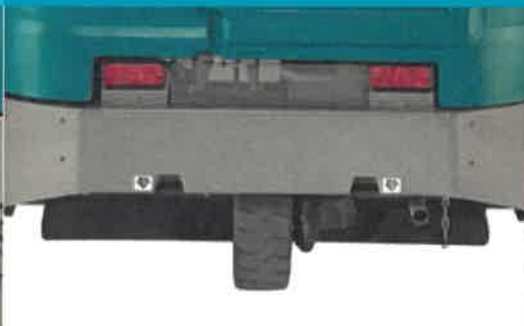
Retractable, spring-loaded flap recirculates debris for improved sweeping results



Reduce downtime and operator fatigue with easy no-tool brush removal and change, aided by the self-guiding 8-spline drive and idler hub

Effective one-pass sweeping with a retractable, spring-loaded re-circulation flap near the rear skirt, recirculating any debris that may escape over the main brush

Increased sweeping results with a main brush that is only 2 in (51 mm) wider than the hopper opening, as compared to some competitors with brushes wider than their hopper openings



# KEY S30 SWEEPER FEATURES TO HELP MAXIMIZE PRODUCTIVITY, REDUCE COSTS, INCREASE SAFETY

- **Patented SweepMax® Plus cyclonic dry dust** separation technology removes an additional 90% of dirt and dust particles before reaching the filter
- **Donaldson Ultra-Web® MERV 15 nanofiber filter** loads and shakes back more effectively
- **8 spline brush drive** with deep 6.5 in (165 mm) brush engagement delivers consistent brush pressure plus end-to-end brush rotation for one pass sweeping
- **EasyOpen™ service access** with onboard diagnostics
- **Large capacity hydraulic oil tank** and triple accessory pumps
- **Dumps at any height** from ground level to 60 in / 1525 mm and reaches up to 30 in / 760 mm into a standard dumpster
- **II-Speed™ sweeping** increases main brush, side brush, and vacuum fan speeds up to 15%
- Easy-to-set **color-coded brush wear indicator** for quick brush pressure settings
- **Patented ShakeMax® 360** orbital shaker in-hopper delivers 70% more effective shakeback and quieter operation
- **No-tool access** to the cyclonic system provides easy clean-outs and minimizes maintenance time
- **Optional FOPS Certified Cab** provides protection from falling objects
- **Optional ANSI tested Overhead Guard** protects the operator from objects falling directly above
- **Standard Configurations:**
  - Base 3-wheel, plastic hopper, mechanical controls, and standard seat
  - S30 XP 3-wheel, plastic hopper, electronic controls, deluxe seat
  - S30 X4 (Diesel Only) 4-wheel, plastic hopper, electronic controls, deluxe seat



## KEY AVAILABLE FEATURES

Achieve outstanding results in diverse environments with dual side brushes which, combined with a large 14 ft<sup>3</sup> / 395 L Duramer™ hopper, allow you to sweep up to 80 in / 2,030 mm in a single pass.



Travel between work sites safely and quickly with the S30 X4 configuration that travels up to 15 mph / 24 km/h on a stable 4 wheel platform with comfortable suspension.



Operate safely and comfortably in even the most severe environments, with an optional FOPS certified (ISO 3449) pressurized cabin, available with heat and air conditioning.



- Reduce rework, labor and safety costs by using only TennantTrue parts and service.
- Ensure optimal cleaning performance by selecting a TennantTrue Service program provided by a network of over 400 factory-trained Tennant service representatives.
- Improve uptime by leveraging TennantTrue parts and service.
- Simplify budgeting by bundling TennantTrue service plans, including parts, into the purchase or financing of your machine.

Choose GE Capital or U.S. Bancorp, our leasing providers, for simple, quick financing with flexible upgrade options.

## S30 MID-SIZE RIDER SWEEPER

### SWEEPING SYSTEM

Cleaning path	
Single side brush	62.5 in / 1,588 mm
Dual side brush	80 in / 2,032 mm
Main brush	
Main brush length ( <i>tubular</i> )	45 in / 1,145 mm
Main brush lift	Mechanical or Hydraulic
Main brush change	No-tool
Side broom	
Side broom diameter	26 in / 660 mm
Debris hopper	
Volume capacity	14 ft <sup>3</sup> / 395 L
Weight capacity ( <i>plastic</i> )	1,080 lb / 490 kg
Weight capacity ( <i>steel</i> )	1,200 lb / 545 kg
Dump height ( <i>variable to</i> )	60 in / 1,525 mm
Dump reach	30 in / 760 mm

### DUST CONTROL SYSTEM

Filter system ( <i>triple stage</i> )	
Stage 1	Perma-filter™
Stage 2	SweeperMax® Plus Cyclonic pre-filter
Stage 3	Donaldson Ultra-Web® Nanofiber canister filter
Filter area	80 ft <sup>2</sup> / 7.4 m <sup>2</sup>
Dust filtration ( <i>up to</i> )	0.5 microns @ 99% efficiency
Shaker mechanism	ShakeMax® 360 Orbital Shaker
Vacuum fan speed	
Normal sweeping mode	4,600 rpm
Litter sweeping mode	5,500 rpm
Vacuum diameter	11 in / 280 mm

### PROPELLING SYSTEM

Propel speed forward ( <i>variable to</i> )	
3-wheel (Gas/LP)	8 mph / 13 km/h
X4 (Diesel)	15 mph / 24 km/h
Engine (Gas/LPG)	50 hp / 37.2 kW
Engine (Diesel)	24.8 hp / 19 kW
Gradeability - full hopper	
3-wheel (Gas/LP)	10° / 18%
X4 (Diesel)	6° / 10.5%
Gradeability - empty hopper	
3-wheel (Gas/LP)	14° / 25%
X4 (Diesel)	9° / 16%
Ground clearance	4 in / 100 mm

### MACHINE SPECIFICATIONS

Length	93 in / 2,360 mm
Width	62.5 in / 1,590 mm
Height	
With overhead guard	82.5 in / 2,095 mm
Without overhead guard	58 in / 1,475 mm
Weight (net, 3-wheel)	3,570 lb / 1,620 kg
Minimum aisle turn	113 in / 2,870 mm

### WARRANTY

See your local representative for warranty information.

*Specifications based on standard machine configurations, no options.  
Specifications subject to change without notice.*

## SEEING IS BELIEVING

For a demonstration or additional information,  
call +1.800.553.8033 or email [info@tennantco.com](mailto:info@tennantco.com)

1.013.001.am.en S30 Brochure 6/14  
©2014 Donaldson Ultra-Web™ and the color blue are registered trademarks of Donaldson Company, Inc. The Tennant Company logo and other trademarks designated with the symbol "™" are registered in the United States and/or other countries. Tennant Company's products are sold and serviced through subsidiaries of Tennant Company and distributors. All rights reserved.

Tennant  
701 North Lilac Drive  
Minneapolis, MN 55422 USA

USA/Canada: +1.800.553.8033  
Quebec: +1.800.361.9050  
Overseas: +1.763.540.1315

[www.tennantco.com](http://www.tennantco.com)  
[info@tennantco.com](mailto:info@tennantco.com)