



# NEW PORT RICHEY PUBLIC WORKS

COMMITTED TO SERVICE

OUR MISSION: TO PROVIDE RESPONSIVE, PROFESSIONAL, AND COURTEOUS SERVICE TO THE PUBLIC

6132 PINE HILL ROAD • PORT RICHEY, FL 34668 • 727.841.4536

TO: Robert M Rivera, Public Works Director

FROM: Joe Palazzolo, Chief Operator

DATE: 4/14/2021

RE: ITB21-005 WWTP Aerator Gear Drive

**Robert,**

Attached for your review and City Council consideration are the bid results for WWTP Aerator Gear Drive ITB21-005 opened on April 9, 2021. The function of this equipment is to add air into the wastewater to allow aerobic bio-degradation of the biological and chemical pollutants in the water. It is an integral part of the biological wastewater treatment system.

**Background:**

The Water Reclamation Facility currently uses 4 Aerator Gear Drives on VFD as primary units with 4 emergency backup units not on VFD. All of the current units are 30+ years old and are beyond their serviceable life. This unit will replace the one that has failed. Our goal is to replace the 3 other primary aerators over the next 4 years.

Initial budget estimates were around \$82,000 for the Aerator Gear Drive and we budget \$100,000 the lowest bid was from Power & Pumps at \$79,898.21

**Recommendation:**

We recommend the lowest bid from April, 8 2021 from Power and Pumps in the amount of \$79,898.21. This equipment is equal to the equipment already in use and will maintain the plant process needed for effluent compliance. This is a planned and budgeted expense. By interlocal agreement Pasco County will contribute 40% toward the purchase.

PSI Technologies, Inc. 151 N. Nob Hill Rd., Suite 293 Plantation, Florida 33324	\$86,116.50
Ovivo USA, LLC 4246 Riverboat Rd, Suite 300 Salt Lake City, Utah 84123	\$115,300



**TO:** Debbie L. Manns, City Manager  
**FROM:** Judy Meyers, City Clerk  
**CC:** Robert Rivera, Public Works Director  
Susan Marshall, Sr. Administrative Assistant  
**DATE:** April 9, 2021  
**RE:** Bid Opening: ITB21-005 – WWTP Aerator Gear Drive

---

Bids for ITB21-005 – WWTP Aerator Gear Drive were received by 2:00 p.m. on Thursday, April 8, 2021. The bid opening took place on Friday, April 9, 2021 at 2:00 p.m. in City Hall Council Chambers. City Clerk Judy Meyers, Sr. Administrative Assistant Susan Marshall and Chief Plant Operator Joseph Palazzolo. Bids were announced and opened from the following entities:

BIDDERS	BID
Ovivo USA, LLC 4246 Riverboat Rd, Suite 300 Salt Lake City, Utah 84123	\$115,300
Power & Pumps, Inc. 803 N. Myrtle Avenue Jacksonville, Florida 32204	\$79,898.21
PSI Technologies, Inc. 151 N. Nob Hill Rd., Suite 293 Plantation, Florida 33324	\$86,116.50

The apparent low bidder was Power & Pumps, Inc. with a bid of \$79,898.21. The bid opening concluded at 2:05 p.m.



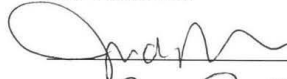


**BIDS RECEIVED**

BID ITEM: WWTP Aerator Gear Drive  
BID NUMBER: ITB 21-005  
BID OPENING: April 9, 2021 at 2:00 p.m., City Council Chambers  
DEPARTMENT: Public Works  
NUMBER OF BIDS: 3

BIDDERS	BID	NON-COLLUSION	PUBLIC ENTITY	DRUG FREE
Ovivo USA, LLC 4246 Riverboat Rd, Suite 300 Salt Lake City, Utah 84123	\$115,300	✓	✓	✓
Power & Pumps, Inc. 803 N. Myrtle Avenue Jacksonville, Florida 32204	\$79,898.21	✓	✓	✓
PSI Technologies, Inc. 151 N. Nob Hill Rd., Suite 293 Plantation, Florida 33324	\$86,116.50	✓	✓	✓

Only offers received timely as of the deadline for receipt of bid are accepted. All others submitted in response to this solicitation, if any, are hereby rejected as late.

**WITNESSED BY:**

  
\_\_\_\_\_  
  
\_\_\_\_\_  
  
\_\_\_\_\_



## **Power & Pumps Inc.**

803 N Myrtle Street  
Jacksonville, FL 32204  
904-356-5881 (Phone)  
904-356-8717 (Fax)

<http://www.powerandpumps.com>

Date: April 7, 2021

### **New Port Richey Bid ITB 21-005 Aerator Gear Drive Table of Contents**

1. Bid Forms Section B
2. Bid Specifications Section 3
3. Bid Forms Sections 4-6
4. SEW Industrial Gear Units Brochure
5. SEW X3FS210E/HU/B Product Data Specs
6. Preliminary Motor Selection Data
7. SEW X3FS210E/HU/B Preliminary Drawing

Section B

Material or Services Required

Date 2/23/2021

Submit Bids To: City of New Port Richey, City Clerk 5919 Main Street New Port Richey, Florida 34652-2785		City of New Port Richey Purchasing Department	
Bid Title : Aerator Gear Drive		Type	Bid No. 21-005
Page 4 of 5	Bids will be opened April 9, 2021 2:00 pm and may not be withdrawn for 90 days after such date and time.		Issue Date 3/3/2021
Additional information City of New Port Richey		City Clerk	

Advertised Date 2/23/2021

File Number ITB 21-005

Submitted By: (company name)  
POWER & PUMPS, INC.  
803 N. MYRTLE AVE  
JACKSONVILLE FL 32204

Authorized by: [Signature] 3/2/2021  
 (manual signature required)  
 Name and Title ANTHONY COMER  
SALES MANAGER

Description	QTY	ONE (1) EACH LOT PRICE	Cost
SEW EURODRIVE GEAR DRIVE MODEL			79,898.21
X3FS210E/HU/B; GEAR REDUCER,			/
BASE/ADAPTER PLATE & 150 HP C-FACE			
ELECTRIC MOTOR (MOTOR SHIPPED HOSE)			
DELIVERY 12-14 WEEKS ARO			
Prices: (net <u>30</u> ) ( <u>0</u> %30 days) Firm <input checked="" type="checkbox"/> Days (90 minimum)			Total \$ <u>79,898.21</u>

EACH LOT PRICE  
LOT PRICE

We, POWER & PUMPS, INC. (company name), the above signed, making any other proposal, or who otherwise would make a proposal, and agree to furnish in strict accordance with all Federal Regulatory Measures and also with these written specification, which consist of this form and all attached documents and general condition as shown in Section A. Florida statute #287.087 requires certification by all bidders indicating that they Do or Do Not have Small/Minority Business Status : Yes  No  This firm is classified as a small business under SBA Regulations Yes  No  The firm is minority owned and controlled Yes  No  If minority owned/controlled submit details as to the minority.

This form must be completed and submitted to City of New Port Richey, City Clerks Office and delivered by 2:00 P.M. April 8, 2021 Note, Bids are due the day before Opening

## Right to Protest

### 1.) Protest Procedure

- a) Any actual bidder who is aggrieved in connection with the solicitation or award of a contract may seek resolution of his/her complaints initially with the Finance Director, and if not satisfied, with the City Manager.
- b) A protest with respect to the specifications of any invitation for bid or request for proposal shall be in writing **five(5) work days prior to the opening of bids**. Protests with respect to award of contract shall be submitted in writing within five (5) work days of the notice of intent to award.
- c) The protesting person or firm must submit in writing his/her (its) formal protest within five (5) work days of the notice of intent to award a contract. The written protest must specifically cite the portion of the code, statute or contract provision which was allegedly violated. Oral protest will not be accepted.
- d) The Finance Director shall respond to the formal written protest within five (5) business days of receipt. The Finance Director's response will be fully coordinated with the appropriate Department Director and City Manager.
- e) If the protestor is not satisfied with the response from the Finance Director, he/she may then submit in writing within (5) five work days of receipt of that response his/her reason for dissatisfaction. Along with copies of his/her original formal protest letter and the response from the Finance Director to the City Manager.
- f) The City Manager, as Purchasing Agent of the City, will respond to the protestor within ten (10) work days of receipt of the appeal.
- g) If the protestor is not satisfied with the response from the City Manager he/she may submit in writing within five (5) work days of receipt of that response his/her reason for dissatisfaction. Along with copies of his/her original formal protest letter and the response from the City Manager to the City Clerk for placement on an agenda of the City Council. The City Council will undertake consideration of the protest at its next regularly scheduled meeting and the City Council will make the final decisions on the matter of protests.

### 2.) Stay of Procurement During Protest

- a) In the event of a timely protest, the Finance Director shall not proceed with the solicitation or award of contract until all administrative remedies have been exhausted or until the City Manager makes written determination that the award of contract without delay is necessary to protect the best interest of the City.

### 3.) Exception in Case of Emergencies

- a) In the event that the City must undertake purchase of goods or services in order to meet in an emergency as set forth in section 2-161 of the City Code, then in that event the bid protest procedure shall be inapplicable.

# Aerator Drive Technical Specifications

## Section 3

1 EA

**Helical gear unit**

**X3FS210/HU/B**

**Technical data**

Application	: Agitator	Lubricant volume GU [US gal]	: 20.6
Industry	: Environmental	Max. perm. oil viscosity [cSt]	: 5000
Field of application	: Impeller areator	Scope of delivery lubricant	: With oil filling
Type of driving machine	: AC-motor	Note	: The correct oil level may change during transportation and due to different ambient conditions at the installation site. Therefore, you must check the oil filling at the factory before startup and correct, if necessary. Decisive for the oil quantity to be filled is the marking on the oil sight glass or oil dipstick. The nameplate data are approximate values, refer to the operating instructions for detailed information.
Operating time per day	: More than 10 hours		
Operating cycle / hour ED [%]	: 100		
Altitude [m above MSL]	: 0...< 1000		
Installation site	: Outdoors with sun protection ( $V_a \geq 3.0$ m/s)		
Ambient conditions	: humid / corrosive	Type of gear unit venting	: Humid and dusty environment. DC-HG-8 DES-CASE venting.
Housing machining	: Universal	Pump type	: Shaft end pump
Ambient temp. min./max. [°F]	: 32 / 104	Breather position	: Enclosed in delivery
Nominal motor power PM [HP]	: 150	Sealing system HSS	: Taconite / Regreasable
Operating power PK1 [HP]	: 150	Pos. greasing nipple inp. shaf	: Extended to mounting surf. F2
Operating torque MK2 [lb-in]	: 318300	HSS-seal qty of grease nipples	: 1
Input speed [r/min]	: 1785.0	Sleeve	: Yes
Ratio	: 62.33	HSS oil seal material	: FKM
Output speed [rpm]	: 29	Sealing system LSS	: Dust-protected, oil seal with dust
Nominal gear unit pow. PN1[HP]	: 375		
Nom. gear unit torq. MN2[lb-in]	: 796600		
Service factor Fs	: 2.50		
Reference value for Fs	: Operating torque output Mk2		
Add. forces at input shaft end	: None		
Add. forces at output shaft end	: With additional forces		

Radial force outp.shaft FR3[N]	: 21351.000		protection cover
Radial load out.shaft FR3[lbf]	: 4800	Output shaft bushing	: Yes
Point force applicat. FR3 [mm]	: 2520	LSS oil seal material	: FKM
Application angle of FR3 [°]	: Unfavorable	LSS oil seal quantity	: 2
Axial load outp.shaft FA3[lbf]	: 12000	Bearing variant output shaft	: EBD-HDr (heavy radial duty)
Direction of force FA3	: PUSH	Motor connection	: Motor adapter
Bend.mom.outp.shaft MB3[lb-in]	: 1563000	Adapter type	: NEMA C / 444/445
Mounting position	: M5	Motor flange diameter	: 16.6 " / (422 mm)
Shaft position	: 23	Adapter position	: Shaft position 2
Mounting surface	: F3	Scope of delivery of coupling	: Coupling is supplied by SEW
Input shaft [mm]	: 75m6 x 140	Input coupling bore	: 3 3/8 " / (85,725 mm)
LSS type	: Solid shaft with key	Fan in motor adapter	: Yes
Low speed shaft LSS [mm]	: 210m6 x 350	Drywell	: Yes
Rotation direction output	: Both	Manometer	: Yes
Housing fixation	: Foot mounting	Flow switch (oil)	: Yes
Type of lubrication	: Pressure lubrication	Dokumentation language / qty	: English / 1
Reduced oil level	: No	Documentation no. A	: 23022116
Oil level check	: Oil dipstick		
Oil drain	: Magnetic oil drain plug and oil drain valve	Surface protection	: OS4 to technical data sheet 01802_94
ISO code	: CLP HC 220 Synth.Oil	Color	: RAL 7031 blue gray
		Nameplate	: English

## 1 EA

### Steel frame

### BASE\_FRAME XF210

#### Technical data

Design / type	: Steel frame / Base frame		unit will be mounted by SEW
Scope of delivery	: Provision SEW assembly center	Surface protection by	: SEW assembly center
Torque arm	: Foot connection	Surface protection	: OS4, to technical data sheet 01802_94
Coupling type input shaft	: Claw coupling	Color	: RAL9005 jet black
Protective cover HSS side	: None	Dokumentation language / qty	: English / 1
Protective cover LSS side	: None	Documentation no. A	: 29141052
Mounting of mount-on component	: All mount-on components of the drive		

1 EA

AC motor

NEMA 445TC4/C

**Technical data**

Mounting position	: B14	Motor voltage [V] / conn. type	: 460
Term.box.pos.[°] / cable entry	: 0 (R) / Normal	Thermal class/Enclosure[IP]	: F / 54
Condensation drain hole	: Yes, to manufacturing specification 089041278	Access. feature canopy	: C
Paint coat	: Top coat RAL5001 (green blue)	additional text	: EP0154
Manufacturer third-party motor	: TECO	additional text	: 150HP, 460V, 1800RPM
Output shaft end	: 3.375	additional text	: 445TC, TEFC(FOOTED), CLASS F
Motor speed [r/min]	: 1800	additional text	: Thermostats, SPACE HEATERS
Motor power [kW]	: 111.9	additional text	: Stainless Steel Breather Drain
Motor power [HP]	: 150	Nameplate	: English
Motor frequency [Hz]	: 50	Opera.instr. A lang./quantity	: English
Cyclic duration factor S1-S10	: S1	Parts list/language/quantity	: English / 0

**A site visit is mandatory to insure compatibility with the existing installation.**

The above specification is not meant to be restrictive in any way. All approved equivalents will be considered.

**Section 4**

**PUBLIC ENTITY CRIMES**

When attached the Bidder shall complete and submit with the bid the attached sworn statement under Section 287.133 (3) (a), Florida Statutes, on public entity crimes.

**DRUG-FREE WORKPLACE CERTIFICATION**

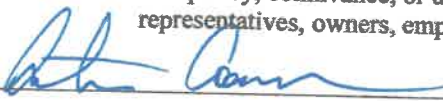
When attached the Bidder may complete and submit with the bid the attached Drug-free Workplace Certification, in accordance with Section 287.087, Florida Statutes.

**NONCOLLUSION AFFIDAVIT**

STATE OF FLORIDA )  
 ) SS  
COUNTY OF PINELLAS

ANTHONY COMER, being first duly sworn deposes and says that:

1. He (it) is the SALES MANAGER, of \_\_\_\_\_  
POWER \* PUMPS, INC., the Bidder that has submitted the attached Bid;
2. He is fully informed respecting the preparation and contents of the attached Bid and of all pertinent circumstances respecting such Bid;
3. Such bid is genuine and is not a collusive or sham Bid;
4. Neither the said Bidder nor any of its officers, partners, owners, agents, representatives, employees, or parties in interest, including this affidavit, have in any way, colluded, conspired, connived or agreed, directly or indirectly, with any other Bidder, firm or person to submit a collusive or sham Bid in connection with the Contract for which the attached Bid has been submitted; or to refrain from bidding in connection with such Contract; or have in any manner, directly or indirectly, sought by agreement or collusion, or communication, or conference with any Bidder, firm, or person to fix the price or prices in the attached Bid or of any other Bidder, or to fix any overhead, profit, or cost elements of the Bid price or the Bid price in any other bidder, or to secure through any collusion, conspiracy, connivance, or unlawful agreement any advantage against (Recipient), or any person interested in the proposed Contract;
5. The price or prices quoted in the attached Bid are fair and proper and are not tainted by any collusion, conspiracy, connivance, or unlawful agreement on the part of the bidder or any other of its agents, representatives, owners, employees or parties in interest, including his affidavit.

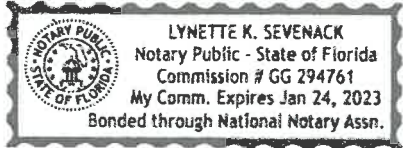
By 

Sworn and subscribed to before me this 7<sup>th</sup> day of APRIL, 2021,

in the State of FLORIDA, County of PINELLAS

Lynette K Sevenack Notary Public

My Commission Expires: JAN. 24, 2023



Section 5

SWORN STATEMENT UNDER SECTION 287.133(3)(a), FLORIDA STATUTES, ON PUBLIC ENTITY CRIMES

THIS FORM MUST BE SIGNED IN THE PRESENCE OF A NOTARY PUBLIC OR OTHER OFFICER AUTHORIZED TO ADMINISTER OATHS.

1. This sworn statement is submitted with Bid, Proposal or Contract No. 21-005 for WWTP AERATOR GEAR DRIVE

2. This sworn statement is submitted by POWER & PUMPS INC. (name or entity, submitting sworn statement)

whose business address is 803 N. MYRTLE AVE.  
JACKSONVILLE, FL 32204 and

( if applicable ) its Federal Employer Identification Number ( FEIN ) is 59-1776697

(If the entity has no FEIN, include the Social Security Number of the individual signing this sworn statement: \_\_\_\_\_.)

3. My name is ANTHONY COMER and my relationship to the ( please print name of individual signing )

entity named above is SALES MANAGER

4. I understand that a "public entity crime" as defined in Paragraph 287.133(1)(g), Florida Statutes, means a violation of any state or federal law by a person with respect to and directly related to the transaction of business with any public entity or with an agency or political subdivision of any other state or with the United States, including, but not limited to, any bid or contract for goods or services to be provided to any public entity or an agency or political subdivision of any other state or of the United States and involving antitrust, fraud, theft, bribery, collusion, racketeering, conspiracy, or material misrepresentation.

5. I understand that "convicted" or "conviction" as defined in Paragraph 287.133(1)(b) Florida Statutes, means a finding of guilt or a conviction of a public entity crime, with or without an adjudication of guilt, in any federal or state trial court of record relating to charges brought by indictment or information after July 1, 1989, as a result of a jury verdict, nonjuring trial, or entry of a plea of guilty or nolo contendere.

6. I understand that an "affiliate" as defined in Paragraph 287.133(1)(a), Florida Statutes, means:

- 1. A predecessor or successor of a person convicted of a public entity crime: or
- 2. An entity under the control of any natural person who is active in the management of the entity and who has been convicted of a public entity crime. The term "affiliate" includes those officers, directors, executives, partners, shareholders, employees, members, and agents who are active in the management of an affiliate. The ownership by one person of shares constituting a controlling interest in another person, or a pooling of equipment or income among persons when not for fair market value under an arm's length agreement, shall be a prima facie case that one person controls another person. A person who knowingly enters into a joint venture with a person who has been convicted of a public entity crime in Florida during the preceding 36 months shall be considered an affiliate.

7. I understand that a "person" as defined in Paragraph 287.133(1)(e), Florida Statutes, means any natural person or entity organized under the laws of any state or of the United States with the legal power to enter into a binding contract and which bids or applies to bid on contracts for the provision of goods or services let by a public entity, or which otherwise transacts or applies to transact business with a public entity. The term "person" includes those officers, directors, executives, partners, shareholders, employees, members, and agents who are active in management of an entity.

8. Based on information and belief, the statement which I have marked below is true in relation to the entity submitting this sworn statement. ( Please indicate which statement applies. )

Neither the entity submitting this sworn statement, nor any officers, directors, executives, partners, shareholders, employees, members, or agents who are active in management of the entity, nor any affiliate of the entity have been charged with and convicted of a public entity crime subsequent to July 1, 1989.

The entity submitting this sworn statement, or one or more of the officers, directors, executives, partners, shareholders, employees, members or agents who are active in management of the entity, or an affiliate of the entity has been charged with and convicted of a public entity crime subsequent to July 1, 1989 AND ( Please indicate which additional statement applies. )

There has been a proceeding concerning the conviction before a hearing officer of the State of Florida, Division of Administrative Hearings. The final order entered by the hearing officer did not place the person or affiliate on the convicted vendor list. ( Please attach a copy of the final order. )

The person or affiliate was placed on the convicted vendor list. There has been a subsequent proceeding before a hearing officer of the State of Florida, Division of Administrative Hearings. The final order entered by the hearing officer determined that it was in the public interest to remove the person or affiliate from the convicted vendor list. ( Please attach a copy of the final order. )

The person or affiliate has not been placed in the convicted vendor list. ( Please describe any action taken by or pending with the Department of General Services. )

By Anthony Comer ( signature )

Date: 4/7/2021

STATE OF FLORIDA

COUNTY OF PINELLAS

PERSONALLY APPEARED BEFORE ME, the undersigned authority,

ANTHONY COMER who, after first being sworn by me, affixed his/her signature  
( name of individual signing )

in the space provided above on this 7<sup>th</sup> day of APRIL, 2021.

Lynette K. Sevenack  
NOTARY PUBLIC

My commission expires: JAN 24, 2023



**Section 6**

**DRUG-FREE WORKPLACE**

Florida Statutes on Drug-Free Workplace Programs:

In case of tie bids, preference must be given to vendors submitting a certification with their bid/proposal certifying they have a drug-free workplace in accordance with Section 287.087, Florida Statutes. The drug free certification form below must be signed and returned with your bid.

**DRUG-FREE WORKPLACE CERTIFICATION**

In order to have a drug-free workplace program, a business shall:

Publish a statement notifying employees that the unlawful manufacture, distribution, dispensing, possession, or use of a controlled substance is prohibited in the workplace and specifying the actions that will be taken against employees for violations of such prohibition.

Inform employees about the dangers of drug abuse in the workplace, the business's policy of maintaining a drug-free workplace, any available drug counseling, rehabilitation, and employee assistance programs, and the penalties that may be imposed upon employees for drug abuse violations.

Give each employee engaged in providing the commodities or contractual services that are under bid a copy of the statement specified in the first paragraph.

In the statement specified in the first paragraph, notify the employees that, as a condition of working on the commodities or contractual services that are under bid, the employee will abide by the terms of the statement and will notify the employer of any conviction of, or plea of guilty or nolo contendere to, any violation of chapter 893 or of any controlled substance law of the United States or any state, for a violation occurring in the workplace no later than five (5) days after such conviction.

Impose a sanction on, or require the satisfactory participation in a drug abuse assistance or rehabilitation program if such is available in the employee's community, by any employee who is so convicted.

Make a good faith effort to continue to maintain a drug-free workplace through implementation of this section.

VENDOR NAME: POWER & PUMPS, INC. BID NO: 21-005

As the person authorized to sign the statement, I certify that this firm complies fully with the above requirements

[Signature] Vendor's Signature

STATE OF: FLORIDA

COUNTY OF: PINELLAS

PERSONALLY APPEARED BEFORE ME, the undersigned authority, ANTHONY COMER

who, after first being sworn by me, affixed his/her signature in the space provided above on this 7<sup>th</sup> day of APRIL, 2021.

Lynette K. Sevenack  
Notary Public  
JAN. 24, 2023

My commission expires

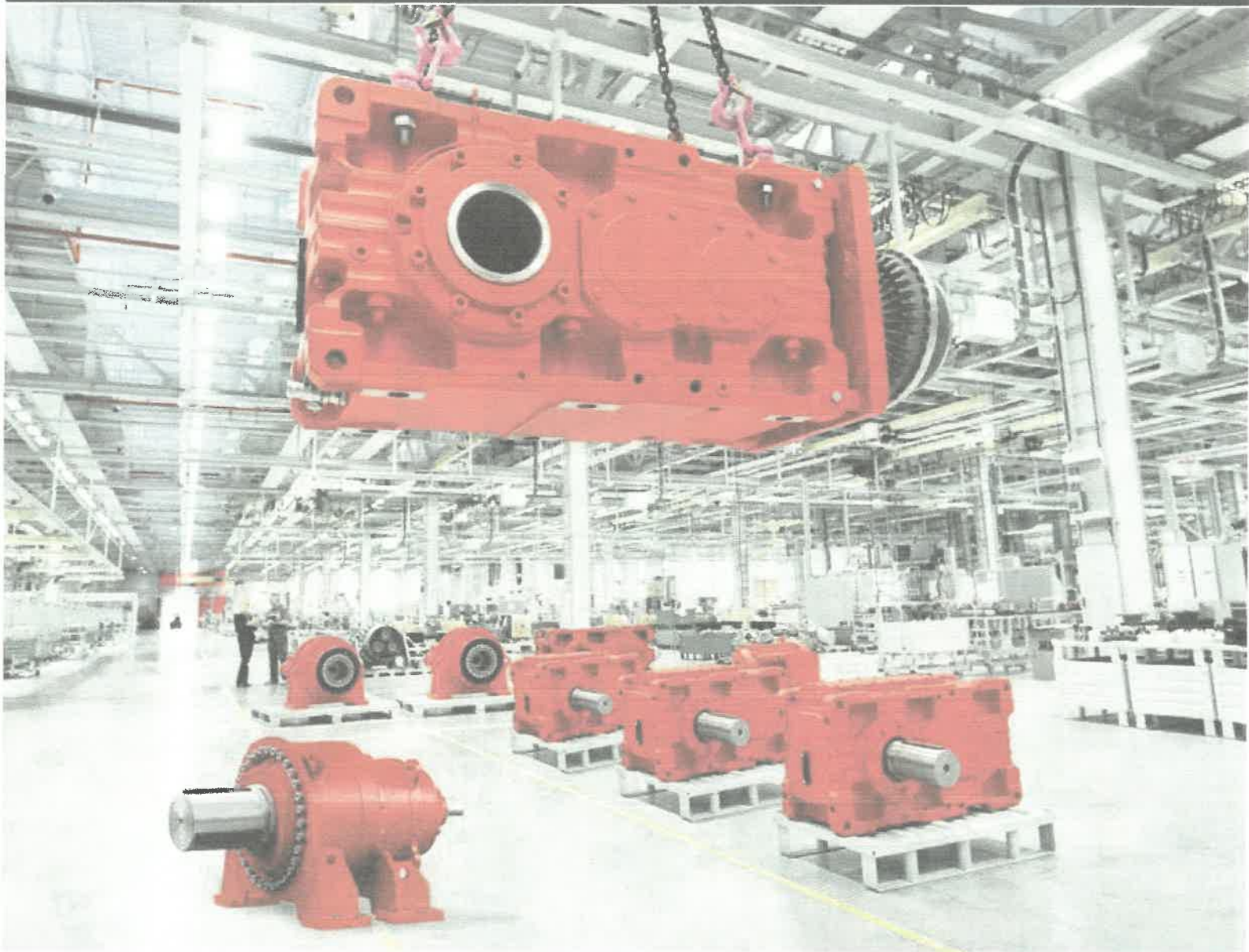
(Affix Seal)





## Industrial Gear Units

U.S. Assembly and Service Center



## Industrial Gear Facility Overview

Our Industrial Gear Facility, located in Wellford, South Carolina, houses assembly, engineering, and maintenance services for a broad range of industrial gear units. The 160,000 sq. ft. facility is equipped to handle nearly any industrial gear assembly or maintenance project, ranging from replacing seals to building 40 ton drive packages.

The new multi-station facility is equipped with the most advanced tooling available, 30+ overhead cranes, a massive inventory and storage retrieval system, and two large paint booths.



## Startup and maintenance – industrial gear unit service

The comprehensive technical expertise of SEW-EURODRIVE ensures the reliability of your operation. From startup to retrofiting, our service experts are available with advice and assistance – even for third-party products. We can provide service on site or at our facilities.

Our service experts inspect and maintain your drive technology and drive automation. They will assist you with your maintenance strategy and give you advice on how to optimize your maintenance. Every service expert is trained on the latest drive and automation technology.

Our comprehensive service for industrial gear units includes:

### Startup

- Installation and laser-based drive adjustment
- Coordinated startup support
- First oil filling
- Production support and monitoring

### Inspection and maintenance

- Inspection and maintenance schedule
- On-site inspections
- Condition monitoring consulting and installation
- Inspection scope examination and gear unit diagnostics
- Oil management: oil change after run-in period, complete oil service (change, refill, disposal)
- Oil quality analysis

### Repair

- Damaged and worn parts replacement
- Complete overhaul
- Repair of housings and shafts
- Gearing components and shafts based on templates and drawings

### Retrofitting

- Existing component replacement
- Customization
- Integrating energy efficiency aspects
- Exact reproduction of your components





## North American Operations

### Southeast Region (U.S. Headquarters)

SEW-EURODRIVE, Inc.  
1295 Old Spartanburg Hwy.  
Lyman, SC 29365  
P: (864) 439-7537  
F: (864) 439-7830  
cslyman@seweurodrive.com

### Midwest Region

SEW-EURODRIVE, Inc.  
2001 West Main St.  
Troy, OH 45373  
P: (937) 335-0036  
F: (937) 332-0038  
cstroy@seweurodrive.com

### Mexico

SEW-EURODRIVE Mexico S.A. DE C.V.  
Queretaro, Mexico  
P: (011) 52-442-103-0300  
F: (011) 52-442-103-0301  
sew-eurodrive.mx  
scmexico@seweurodrive.com.mx

### Industrial Gears

SEW-EURODRIVE, Inc.  
148 Finch Rd.  
Wellford, SC 29385  
P: (864) 439-8792  
F: (864) 661-1167  
igsorders@seweurodrive.com

### Southwest Region

SEW-EURODRIVE, Inc.  
3950 Platinum Way  
Dallas, TX 75237  
P: (214) 330-4824  
F: (214) 330-4724  
csdallas@seweurodrive.com

### Canada

SEW-EURODRIVE Co. of Canada Ltd.  
Bramalea, Ontario  
P: (905) 791-1553  
F: (905) 791-2999  
sew-eurodrive.ca  
marketing@sew-eurodrive.ca

### Northeast Region

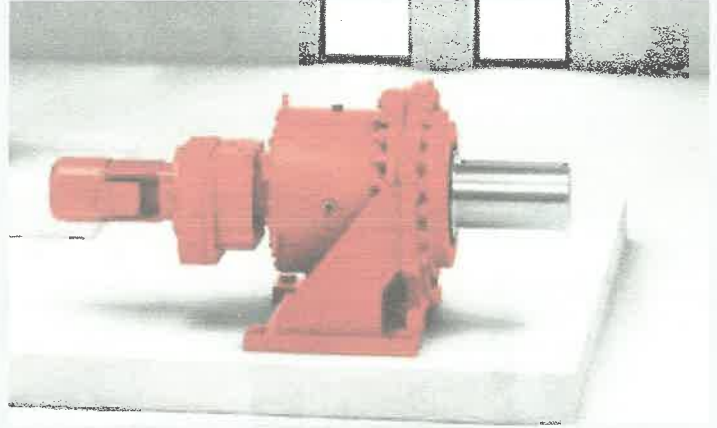
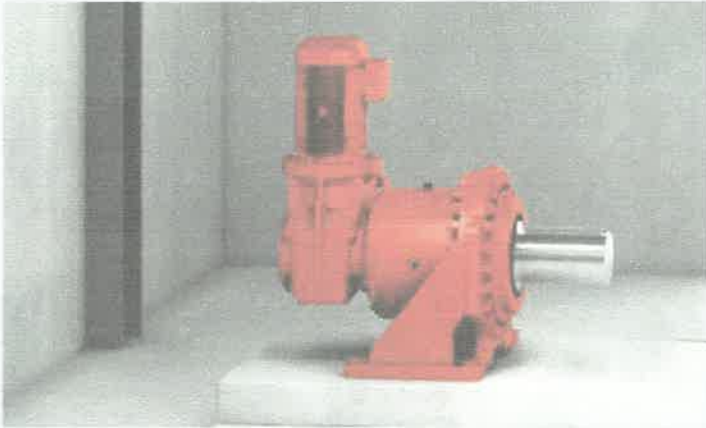
SEW-EURODRIVE, Inc.  
2107 High Hill Rd.  
Bridgeport, NJ 08014  
P: (856) 467-2277  
F: (856) 845-3179  
csbridgeport@seweurodrive.com

### Western Region

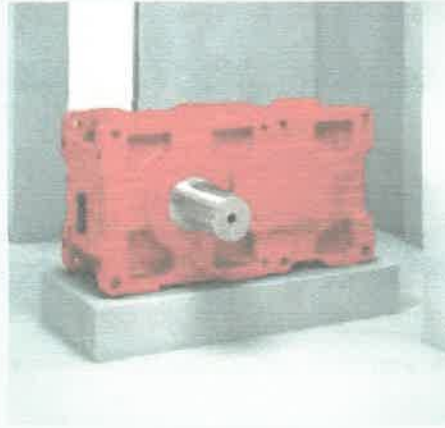
SEW-EURODRIVE, Inc.  
30599 San Antonio St.  
Hayward, CA 94544  
P: (510) 487-3560  
F: (510) 487-6433  
cshayward@seweurodrive.com

## Products Engineered and Assembled in the U.S.

Planetary gear units up to 4,400,000 lb-in of torque



Helical and bevel-helical gear units - wide range of options and ratios and up to 4,200,000 lb-in of torque

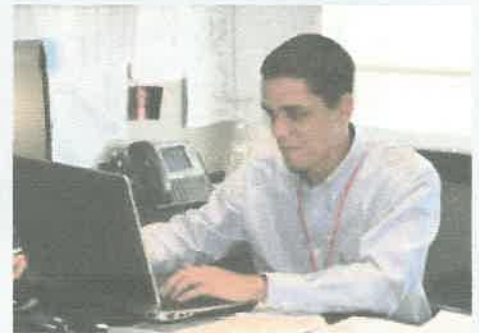


Complete drive packages, including assembly of motors, couplings, lubrication systems, base-frames, and other customized accessories



## Customer Support





- Customer service
  - Project coordination
  - Weekend and after-hours service
- Application engineering for all Industrial gearing products
- Design engineering for customized solutions
- Logistics, including purchasing and inventory control
- After-sale service and repair



## Delivery Capabilities

Our Industrial Gear facility in Wellford, South Carolina maintains one of North America's largest inventories of Industrial gearing components, allowing for expedited delivery as fast as 48 hours.

- Market-leading short delivery times and on-time delivery performance
- Average delivery time of 2-3 weeks, when using our Expedited Delivery Program

		Regular lead time	Expedited Delivery Program	Rush 48 hour emergency
	<b>P Series</b>	✓	✓	✓
	<b>X Series</b>	✓	✓	
	<b>MC Compact Series</b>	✓	✓	
	<b>M1 Series</b>	✓		

## EQUIPMENT SPECIFICATIONS

Catalog designation

GEAR REDUCER \* BASE RATE

X3FS210E/HUVB

Further information online on <https://www.seweurodrive.com>

## Reference data

Transaction : 417491771  
Item : 200

## Product data

Application : Agitator  
Industry : Environmental  
Type of application : Impeller areator  
Type of driving machine : AC-motor  
Operating time per day : More than 10 hours  
Operating cycle / hour ED [%] : 100  
Altitude [m above MSL] : 0...< 1000  
Installation site : Outdoors with sun protection  
( $V_a \geq 3.0$  m/s)  
Ambient conditions : humid / corrosive  
Housing machining : Universal  
Ambient temp. min./max. [°F] : 32 / 104  
Nominal motor power PM [HP] : 150  
Operating power PK1 [HP] : 150  
Operating torque MK2 [lb-in] : 318300  
Input speed [r/min] : 1785,0  
Ratio : 62,33  
Output speed [rpm] : 29  
Nominal gear unit pow. PN1 [HP] : 375  
Nom. gear unit torq.MN2[lb-in] : 796600  
Service factor  $F_s$  : 2,50  
Reference value for  $F_s$  : Operating torque output Mk2

Add. forces at input shaft end : None  
Add.forces at output shaft end : With additional forces  
Radial force outp.shaft FR3[N] : 21351,000  
Radial load out.shaft FR3[lbf] : 4800  
Point force applicat. FR3 [mm] : 2520  
Application angle of FR3 [°] : Unfavorable  
Axial load outp. shaft FA3[lbf] : 12000  
Direction of force FA3 : PUSH  
Bend.mom.outp.shaft MB3[lb-in] : 1563000  
Mounting position : M5  
Mounting surface : F3  
Shaft position : 23  
Direct. of rotat. output shaft : Both  
Input shaft [mm] : 75X140  
Low speed shaft LSS [mm] : Special shaft  
Diameter output shaft end [mm] : 193,675 H7  
Length of output shaft [mm] : 360,30  
Special output shaft : 7.625" dia x length TB  
: D&T shaft end  
: 1.25" - 7UNC x 1.375" deep

Number of keys [pcs] / [°] : 1  
Housing fixation : Foot mounting

Type of lubrication	: Pressure lubrication
Reduced oil level	: No
Oil level check	: Oil dipstick
Oil drain	: Magnetic oil drain plug and oil drain : valve
Oil manufacturer designation	: SEW GEAR OIL SYNTH 220 E1
ISO code	: CLP HC 220 Synth.Oil
Scope of delivery lubricant	: With oil filling
Lubricant volume GU [US gal]	: 19.0
Max. perm. oil viscosity [cSt]	: 5000
Note	: The correct oil level may change : during : transportation and due to different : ambient conditions at the : installation : site. Therefore, you must check the : oil : filling at the factory before startup : and correct, if necessary. Decisive : for : the oil quantity to be filled is the : marking on the oil sight glass or oil : dipstick. The nameplate data are : approximate values, refer to the : operating instructions for detailed : information.
Pump type	: With shaft end pump including : pressure : switch
Breather position	: Enclosed in delivery
Type of gear unit venting	: Humid and dusty environment. : DC-HG-8 DES-CASE venting.
Sealing system HSS	: Taconite / Regreasable
Sleeve	: Yes
HSS-seal qty of grease nipples	: 1
Pos. greasing nipple inp. shaf	: Extended to mounting surf. F2
HSS oil seal material	: FKM
Sealing system LSS	: Dust-protected, oil seal with dust : protection cover
Output shaft bushing	: Yes
LSS oil seal material	: FKM
LSS oil seal quantity	: 2
Bearing variant output shaft	: EBD-HDr (heavy radial duty)
Motor connection	: Motor adapter
Adapter type	: NEMA C / 444/445
Motor flange diameter	: 16.6 " / (422 mm)
Adapter position	: Shaft position 2
Scope of delivery of coupling	: Coupling is supplied by SEW
Input coupling bore	: 3 3/8 " / (86,725 mm)
Fan in motor adapter	: Yes
Drywell	: Yes
Manometer	: Yes
Flow switch (oil)	: Yes
Add. product description ATO	: SHAFT END PUMP INCLUDES : OIL FILTER, PRESSURE SWITCH, : PRESSURE GUAGE, FLOW : SWITCH, OIL LEVEL SWITCH : AND : INTERNAL PIPING. : QUOTED WITH A SPECIAL LSS : TO : MATCH EXISTING UNIT DIM. OF

The present product information does not represent a quotation in legal terms. Technical data must be confirmed in a final technical verification. This verification is performed when creating the quotation/order. A legally binding contract requires an order issued by the ordering party and an order confirmation issued by SEW-EURODRIVE GmbH & Co KG.  
Created on: 4/6/2021 8:40:31 PM CEST / Tony Comer / TCOMER@POWERANDPUMPS.COM

: 7.625" DIA, AND DIM. OF  
: 28.37" FROM FEET OF REDUCER  
: TO TIP OF OUTPUT SHAFT.

: .

Dokumentation language / qty	: English / 1
Documentation no. A	: 25938673
Surface protection	: OS4 to technical data sheet 01802__94
Color	: RAL 120-M Stainless Steel Gray
Nameplate	: English
Weight	: 0.99 kg

**PRELIMINARY Motor Data for Reference Only: New Port Richey Bid ITB 21-005 Aerator Gear Drive**

**HP** 150  
**Frame** 445TC Vertical Mount with Rain Cap & Space Heaters  
**NOM. EFF.** 95.4  
**VOLTS** 230/460  
**Enclosure** TEFC  
**SF** 1.15  
**AMB** 40 C  
**Min. Eff.** 95  
**Frequency** 60 Hz  
**FLAMPS** 352/176  
**NEMA** B  
**Code** G  
**PF** 83.6  
**S.RPM** 1800  
**FLRPM** 1785  
**Insul Class** F  
**Duty** CONT

**Amperage**

**Locked Rotor:** 1085

**Torques**

**Full Load (lb-ft):** 441

**Locked Rotor:** 220

**Break Down:** 260

**Bearings**

**Drive End:** 6318C3

**Opposite Drive End:** NU318C3

**Efficiency (%)**

**Full Load:** 95.7

**3/4 Load:** 95.5

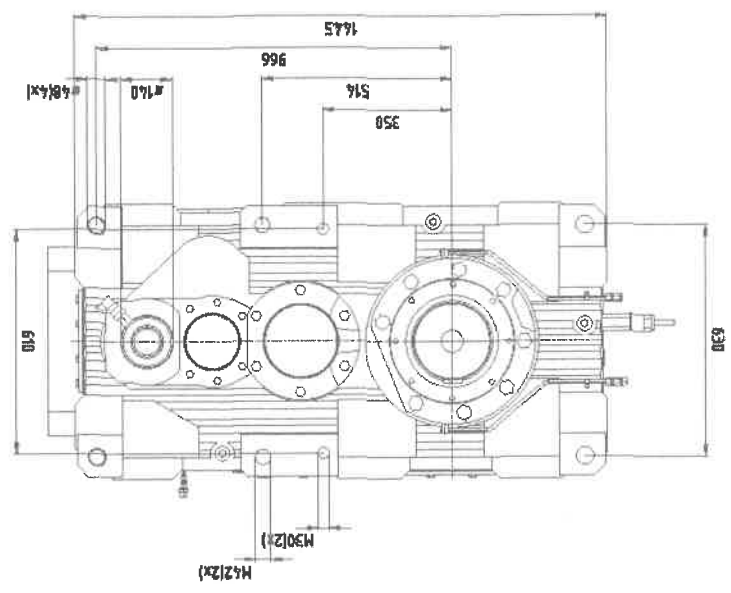
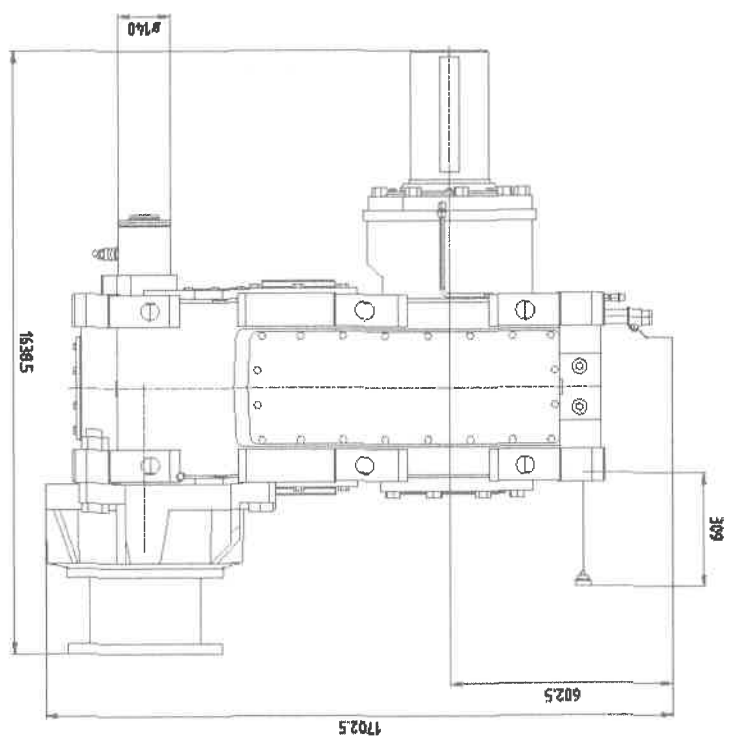
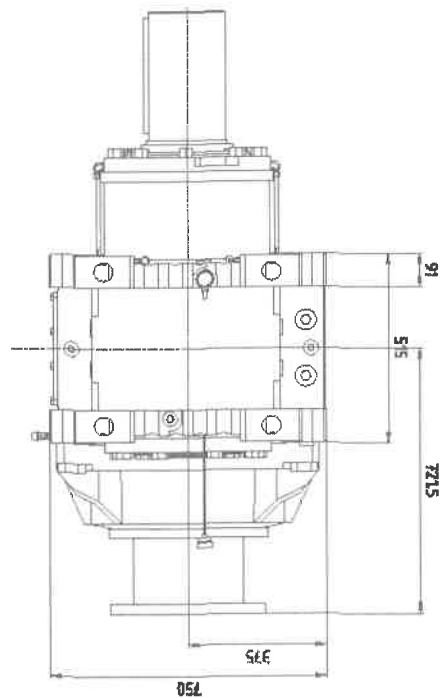
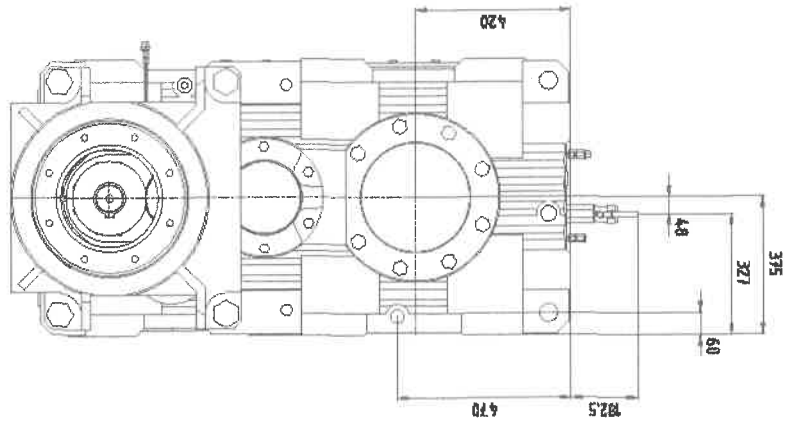
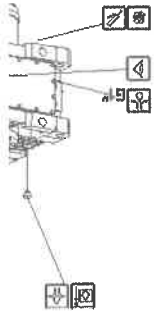
**1/2 Load:** 94.8

**Power Factor (%)**

**Full Load:** 83.6

**3/4 Load:** 72.9

**1/2 Load:** 80.7





**BID DOCUMENTS**  
**FOR**  
**CITY OF NEW PORT RICHEY**



**WWTP Aerator Gear Drive**

by

**Public Works Department**  
**Wastewater Treatment Division**

4730 Main Street  
New Port Richey, Florida 34652

Project No. ITB 21-005

**FEBRUARY 23, 2021**

## TABLE OF CONTENTS

SECTION	DESCRIPTION	PAGE
SECTION 1	INVITATION TO BID.....	2
SECTION 2	BID FORM.....	3-7
SECTION 3	TECHNICAL SPECIFICATIONS.....	8-10
SECTION 4	NONCOLLUSION AFFI DAVIT	
SECTION 5	PUBLIC ENTITY CRIME INFORMATION STATEMENT	
SECTION 6	DRUG-FREE WORKPLACE	

Section 2

Submit Bids To: City of New Port Richey, City Clerk 5919 Main Street New Port Richey, Florida 34652-2785		<b>INVITATION TO BID</b> <b>City of New Port Richey</b> <b>Purchasing Department</b>	
Bid Title WWTP Aerator Gear Drive		Type	Bid No. 21-005
Page 1 of 5	Bids will be opened April 9, 2021 2:00 pm and may not be withdrawn for 90 days after such date and time.		Issue Date
Additional information  City of New Port Richey		Judy Meyers City Clerk	

Section A                                  General Terms and Conditions of Invitations to Bid

1. Preparation of Bids

Bids will be prepared in accordance with the following:

- (a) Our enclosed Bid Proposal Form is to be used in submitting your bid.
- (b) All information required by the bid form shall be furnished. The bidder shall print or type his name and manually sign the schedule and each continuation sheet on which an entry is made.
- (c) Unit prices shall be shown and where there is an error an extension of price, the unit price shall govern.
- (d) Alternate bids will not be considered unless authorized by the invitation to bid.
- (e) Proposed delivery time must be shown and shall include Sundays and Holidays.
- (f) Bidders will not includes federal taxes nor state of Florida taxes, excise, and use taxes in bid prices as the city is exempt from payment of such taxes. An exemption certificate will be signed where applicable upon request.
- (g) Bidders shall thoroughly examine the drawings, specifications, schedule, instructions and all other contract documents.
- (h) Bidders shall make all investigations necessary to thoroughly inform themselves regarding plant and facilities for delivery and equipment as required by the bid conditions. No plea of ignorance by the bidder of conditions that exist or the may hereafter exist as a result of failure or omission on the part of the bidder to make the necessary examinations and investigations, or failure to fulfill in every detail the requirements of the contract documents, will be accepted as a basis for varying the requirements of the City or the compensation to the vendor.
- (i) Bidders are advised that all city contracts are subject to all legal requirements provided for on the purchasing ordinance and/or State and Federal Statutes

2. Description of Supplies

- (a) Any manufacturers names, trade names, brand name, or catalog numbers used in such specifications are for the purpose of describing and establishing general quality levels. **Such references are not intended to be restrictive.** Bids will be considered for any brand which meets the quality of the specifications listed for any items.
- (b) Bidders are required to state exactly what they intend to furnish, otherwise they shall be required to furnish the items as specified.
- (c) Bidders will submit, with their proposal data necessary to evaluate and determine the quality of the item(s) they are bidding.

3. Submission of Bids

- (a) Bids and changes thereto shall be enclosed in sealed envelopes addressed to the Purchasing Department, City of New Port Richey. The name and address of the bidder, the date and hour of the bid opening and the material or service bid shall be placed on the outside of the envelope.
- (b) Bids must be submitted on the forms furnished. Electronic bids will not be considered. Bids, however, may be modified by electronic notice provided such notice is received prior to the time and date set for the bid opening.

4. Rejection of Bids

The city may reject a bid if:

- 
- 
- (a) The bidder misstates or conceals any fact in the bid, or if,
  - (b) The bid does not strictly conform to the requirements of the bid, or if,
  - (c) The bid is conditional, except the bidder may qualify his bid for acceptance by the city on an "all or none" basis or a "low item" basis. An "all or none" basis bid must include all items upon which bids are invited.
  - (d) The city may, however, reject all bids whenever it is deemed in the best interest of the City to do so, and may reject any part of the bid unless the bid has been qualified. The City may also waive any minor informalities or irregularities in any bid.
5. Withdrawal of Bids
    - (a) Bids may not be withdrawn after the time set for the bid opening for a period of time as specified.
    - (b) Bids may not be withdrawn prior to the time set for the bid opening. Such request must be in writing.
  6. Late Bids or Modifications
    - (a) Bids and Modifications received after the time and date set for the bid opening will not be considered.
    - (b) Modifications in writing received prior to the time and date set for the bid opening will be accepted.
  7. Clarification or Objection to Bid Specifications
    - (a) If any person contemplating submitting a bid for this contract is in doubt as to the true meaning of the specifications or any other bid documents of any part thereof, he may submit to the Purchasing Coordinator on or before five days prior to scheduled opening a request for clarification. All such request for information shall be made in writing and the person submitting the request will be responsible for its prompt delivery. Any interpretation of the bid, if made, will be made only by Addendum duly issued. A copy of such Addendum will be mailed or delivered to each person receiving an Invitation to Bid. The City will not be responsible for any other explanation or interpretation of the proposed bid made or given prior to the award of the contract. Any objection to the specifications and requirements as set forth in this bid must be filed in writing with the Purchasing Coordinator on or before five days prior to scheduled opening.
  8. Discounts
    - (a) Bidders may offer cash discount for prompt payment; however, such discounts shall not be considered in determining the lowest net cost for bid evaluation purposes. Bidders are encouraged to reflect cash discounts in the unit prices.
    - (b) In connection with an discount offered, time will be computed from the date of receipt of supplies or services or from the date a correct invoice is received, whichever is the later date. Payment is deemed to be made on the date of mailing of the check.
  9. Samples
    - (a) Samples, when required, must be submitted within the time specified at no expense to the City. If not destroyed or used up during testing, samples will be returned upon request at the bidder's expense. Each individual sample must be labeled with the bidder's name and manufacturer's brand name and number.
  10. Award of Contract
    - (a) The contract will be awarded to the lowest responsible bidder whose bid, conforming to the invitation to bid, is most advantageous to the City, price and other factors considered.
    - (b) The City reserves the right to accept and award item by item, and/or by group, or in aggregate, unless the bidder qualifies his bid by specific limitations.
    - (c) If two or more bids received are for the same total amount or unit price, quality and service being equal, the contract shall be awarded to a local bidder.
    - (d) Prices quoted must be FOB with all transportation charges prepaid unless otherwise specified in the Invitation to Bid.
  11. Delivery
    - (a) Deliveries are to be FOB Destination unless otherwise stated in the Invitation to Bid.
    - (b) Deliveries are to be made during regular business hours.
  12. Conditions of Material and Packing
    - (a) All items furnished must be new and free from defects. No other will be accepted under the terms and intent of this bid. All containers shall be new and suitable for storage or shipment, and price bid shall include standard commercial packaging.
  13. Claims
    - (a) Successful Bidder(s) will be responsible for making any and all claims against carriers for missing or damaged items.
  14. Local, State and Federal Compliance Requirements
    - (a) Bidders shall comply with all local, state and federal directives, orders, and laws as applicable to this bid and subsequent contract(s) including but not limited to: (1) Equal Employment Opportunity (EEO), in compliance with Executive Order 11246, as applicable to this contract. (2) Minority Business Enterprise (MBE), as applicable to this contract. (3) Occupational Safety and Health Act (OSHA), as applicable to this contract.
  15. Provisions for other Agencies

- 
- 
- (a) Unless otherwise stipulated by the bidder, the bidder agrees when submitting his bid to make available to all City Agencies and Departments, the bid prices he submits, in accordance with the bid terms and conditions, should any said department wish to buy under this proposal.

16. Collusion

- (a) The bidder, by affixing his signature to this proposal, agrees, to the following: "Bidder certifies that his bid is made without previous understanding, agreement, or connection with any person, firm or corporation making a bid for the same items and is in all respects fair, without outside control, collusion, fraud or otherwise illegal action

17. Variance in Conditions

- (a) Any and all special conditions and specifications attached hereto which vary from General Condition shall have precedence.

Section B

Material or Services Required

Date 2/23/2021

Submit Bids To: City of New Port Richey, City Clerk 5919 Main Street New Port Richey, Florida 34652-2785		<b>City of New Port Richey Purchasing Department</b>	
Bid Title : Aerator Gear Drive		Type	Bid No. 21-005
Page 4 of 5	Bids will be opened April 9, 2021 2:00 pm and may not be withdrawn for 90 days after such date and time.		Issue Date 3/3/2021
Additional information City of New Port Richey		City Clerk	

Advertised Date \_\_\_\_\_

File Number \_\_\_\_\_

Submitted By: (company name) \_\_\_\_\_

Authorized by: \_\_\_\_\_  
(manual signature required)

\_\_\_\_\_  
\_\_\_\_\_  
Name and Title \_\_\_\_\_

Description	Cost
Prices: (net _____) ( _____%30 days) Firm _____ Days (90 minimum)      \$	<b>Total</b>

We, \_\_\_\_\_ (company name), the above signed, making any other proposal, or who otherwise would make a proposal, and agree to furnish in strict accordance with all Federal Regulatory Measures and also with these written specification, which consist of this form and all attached documents and general condition as shown in Section A. Florida statute #287.087 requires certification by all bidders indicating that they Do or Do Not have Small/Minority Business Status : Yes \_\_\_\_\_ No \_\_\_\_\_ This firm is classified as a small business under SBA Regulations Yes \_\_\_\_\_ No \_\_\_\_\_ The firm is minority owned and controlled Yes \_\_\_\_\_ No \_\_\_\_\_ If minority owned/controlled submit details as to the minority.

**This form must be completed and submitted to City of New Port Richey, City Clerks Office and delivered by 2:00 P.M. April 8, 2021 Note, Bids are due the day before Opening**

---

---

Right to Protest

1.) Protest Procedure

- a) Any actual bidder who is aggrieved in connection with the solicitation or award of a contract may seek resolution of his/her complaints initially with the Finance Director, and if not satisfied, with the City Manager.
  - b) A protest with respect to the specifications of any invitation for bid or request for proposal shall be **in writing five(5) work days prior to the opening of bids**. Protests with respect to award of contract shall be submitted in writing within five (5) work days of the notice of intent to award.
  - c) The protesting person or firm must submit in writing his/her (its) formal protest within five (5) work days of the notice of intent to award a contract. The written protest must specifically cite the portion of the code, statute or contract provision which was allegedly violated. Oral protest will not be accepted.
  - d) The Finance Director shall respond to the formal written protest within five (5) business days of receipt. The Finance Director's response will be fully coordinated with the appropriate Department Director and City Manager.
  - e) If the protestor is not satisfied with the response from the Finance Director, he/she may then submit in writing within (5) five work days of receipt of that response his/her reason for dissatisfaction. Along with copies of his/her original formal protest letter and the response from the Finance Director to the City Manager.
  - f) The City Manager, as Purchasing Agent of the City, will respond to the protestor within ten (10) work days of receipt of the appeal.
  - g) If the protestor is not satisfied with the response from the City Manager he/she may submit in writing within five (5) work days of receipt of that response his/her reason for dissatisfaction. Along with copies of his/her original formal protest letter and the response from the City Manager to the City Clerk for placement on an agenda of the City Council. The City Council will undertake consideration of the protest at its next regularly scheduled meeting and the City Council will make the final decisions on the matter of protests.
- 2.) Stay of Procurement During Protest
- a) In the event of a timely protest, the Finance Director shall not proceed with the solicitation or award of contract until all administrative remedies have been exhausted or until the City Manager makes written determination that the award of contract without delay is necessary to protect the best interest of the City.
- 3.) Exception in Case of Emergencies
- a) In the event that the City must undertake purchase of goods or services in order to meet in an emergency as set forth in section 2-161 of the City Code, then in that event the bid protest procedure shall be inapplicable.

## Aerator Drive Technical Specifications

## Section 3

1 EA

Helical gear unit

X3FS210/HU/B

**Technical data**

Application	: Agitator	Lubricant volume GU [US gal]	: 20.6
Industry	: Environmental	Max. perm. oil viscosity [cSt]	: 5000
Field of application	: Impeller areator	Scope of delivery lubricant	: With oil filling
Type of driving machine	: AC-motor	Note	: The correct oil level may change during transportation and due to different ambient conditions at the installation site. Therefore, you must check the oil filling at the factory before startup and correct, if necessary. Decisive for the oil quantity to be filled is the marking on the oil sight glass or oil dipstick. The nameplate data are approximate values, refer to the operating instructions for detailed information.
Operating time per day	: More than 10 hours		
Operating cycle / hour ED [%]	: 100		
Altitude [m above MSL]	: 0...< 1000		
Installation site	: Outdoors with sun protection ( $V_a \geq 3.0$ m/s)	Type of gear unit venting	: Humid and dusty environment. DC-HG-8 DES-CASE venting.
Ambient conditions	: humid / corrosive	Pump type	: Shaft end pump
Housing machining	: Universal	Breather position	: Enclosed in delivery
Ambient temp. min./max. [°F]	: 32 / 104	Sealing system HSS	: Taconite / Regreasable
Nominal motor power PM [HP]	: 150	Pos. greasing nipple inp. shaf	: Extended to mounting surf. F2
Operating power PK1 [HP]	: 150	HSS-seal qty of grease nipples	: 1
Operating torque MK2 [lb-in]	: 318300	Sleeve	: Yes
Input speed [r/min]	: 1785.0	HSS oil seal material	: FKM
Ratio	: 62.33	Sealing system LSS	: Dust-protected, oil seal with dust
Output speed [rpm]	: 29		
Nominal gear unit pow. PN1[HP]	: 375		
Nom. gear unit torq.MN2[lb-in]	: 796600		
Service factor Fs	: 2.50		
Reference value for Fs	: Operating torque output Mk2		
Add. forces at input shaft end	: None		
Add.forces at output shaft end	: With additional forces		

Radial force outp.shaft FR3[N]	: 21351.000	Output shaft bushing	: Yes
Radial load out.shaft FR3[lbf]	: 4800	LSS oil seal material	: FKM
Point force applicat. FR3 [mm]	: 2520	LSS oil seal quantity	: 2
Application angle of FR3 [°]	: Unfavorable	Bearing variant output shaft	: EBD-HDr (heavy radial duty)
Axial load outp.shaft FA3[lbf]	: 12000	Motor connection	: Motor adapter
Direction of force FA3	: PUSH	Adapter type	: NEMA C / 444/445
Bend.mom.outp.shaft MB3[lb-in]	: 1563000	Motor flange diameter	: 16.6 " / (422 mm)
Mounting position	: M5	Adapter position	: Shaft position 2
Shaft position	: 23	Scope of delivery of coupling	: Coupling is supplied by SEW
Mounting surface	: F3	Input coupling bore	: 3 3/8 " / (85,725 mm)
Input shaft [mm]	: 75m6 x 140	Fan in motor adapter	: Yes
LSS type	: Solid shaft with key	Drywell	: Yes
Low speed shaft LSS [mm]	: 210m6 x 350	Manometer	: Yes
Rotation direction output	: Both	Flow switch (oil)	: Yes
Housing fixation	: Foot mounting	Dokumentation language / qty	: English / 1
Type of lubrication	: Pressure lubrication	Documentation no. A	: 23022116
Reduced oil level	: No	Surface protection	: OS4 to technical data sheet 01802_94
Oil level check	: Oil dipstick	Color	: RAL 7031 blue gray
Oil drain	: Magnetic oil drain plug and oil drain valve	Nameplate	: English
ISO code	: CLP HC 220 Synth.Oil		

## 1 EA

### Steel frame

#### BASE\_FRAME XF210

#### Technical data

Design / type	: Steel frame / Base frame	unit will be mounted by SEW
Scope of delivery	: Provision SEW assembly center	Surface protection by
Torque arm	: Foot connection	: SEW assembly center
Coupling type input shaft	: Claw coupling	Surface protection
Protective cover HSS side	: None	: OS4, to technical data sheet 01802_94
Protective cover LSS side	: None	Color
Mounting of mount-on component	: All mount-on components of the drive	: RAL9005 jet black
		Dokumentation language / qty
		: English / 1
		Documentation no. A
		: 29141052

1 EA

AC motor

NEMA 445TC4/C

**Technical data**

Mounting position	: B14	Motor voltage [V] / conn. type	: 460
Term.box.pos.[°] / cable entry	: 0 (R) / Normal	Thermal class/Enclosure[IP]	: F / 54
Condensation drain hole	: Yes, to manufacturing specification 089041278	Access. feature canopy	: C
Paint coat	: Top coat RAL5001 (green blue)	additional text	: : EP0154
		additional text	: 150HP, 460V, 1800RPM
		additional text	: 445TC, TEFC(FOOTED), CLASS F
Manufacturer third-party motor	: TECO	additional text	: Thermostats, SPACE HEATERS
Output shaft end	: 3.375	additional text	: Stainless Steel Breather Drain
Motor speed [r/min]	: 1800	additional text	: to DE for Shaft Down Mounting
Motor power [kW]	: 111.9		
Motor power [HP]	: 150	Nameplate	: English
Motor frequency [Hz]	: 50	Opera.instr. A lang./quantity	: English
Cyclic duration factor S1-S10	: S1	Parts list/language/quantity	: English / 0

**A site visit is mandatory to insure compatibility with the existing installation.**

The above specification is not meant to be restrictive in any way. All approved equivalents will be considered.

**Section 4**

**PUBLIC ENTITY CRIMES**

When attached the Bidder shall complete and submit with the bid the attached sworn statement under Section 287.133 (3) (a), Florida Statutes, on public entity crimes.

**DRUG-FREE WORKPLACE CERTIFICATION**

When attached the Bidder may complete and submit with the bid the attached Drug-free Workplace Certification, in accordance with Section 287.087, Florida Statutes.

**NONCOLLUSION AFFIDAVIT**

STATE OF )  
 ) SS  
COUNTY OF )

\_\_\_\_\_, being first duly sworn deposes and says that:

1. He (it) is the \_\_\_\_\_, of \_\_\_\_\_  
\_\_\_\_\_, the Bidder that has submitted the attached Bid;
2. He is fully informed respecting the preparation and contents of the attached Bid and of all pertinent circumstances respecting such Bid;
3. Such bid is genuine and is not a collusive or sham Bid;
4. Neither the said Bidder nor any of its officers, partners, owners, agents, representatives, employees, or parties in interest, including this affidavit, have in any way, colluded, conspired, connived or agreed, directly or indirectly, with any other Bidder, firm or person to submit a collusive or sham Bid in connection with the Contract for which the attached Bid has been submitted; or to refrain from bidding in connection with such Contract; or have in any manner, directly or indirectly, sought by agreement or collusion, or communication, or conference with any Bidder, firm, or person to fix the price or prices in the attached Bid or of any other Bidder, or to fix any overhead, profit, or cost elements of the Bid price or the Bid price in any other bidder, or to secure through any collusion, conspiracy, connivance, or unlawful agreement any advantage against (Recipient), or any person interested in the proposed Contract;
5. The price or prices quoted in the attached Bid are fair and proper and are not tainted by any collusion, conspiracy, connivance, or unlawful agreement on the part of the bidder or any other of its agents, representatives, owners, employees or parties in interest, including his affidavit.

By \_\_\_\_\_

Sworn and subscribed to before me this \_\_\_\_\_ day of \_\_\_\_\_, 2021,

in the State of \_\_\_\_\_, County of \_\_\_\_\_.

\_\_\_\_\_  
Notary Public

My Commission Expires: \_\_\_\_\_

**Section 5**

**SWORN STATEMENT UNDER SECTION 287.133(3)(a),  
FLORIDA STATUTES, ON PUBLIC ENTITY CRIMES**

THIS FORM MUST BE SIGNED IN THE PRESENCE OF A NOTARY PUBLIC OR OTHER OFFICER AUTHORIZED TO ADMINISTER OATHS.

1. This sworn statement is submitted with Bid, Proposal or Contract No. \_\_\_\_\_  
for \_\_\_\_\_

2. This sworn statement is submitted by \_\_\_\_\_  
(name or entity, submitting sworn statement)  
whose business address is \_\_\_\_\_  
\_\_\_\_\_ and  
( if applicable ) its Federal Employer Identification Number ( FEIN ) is \_\_\_\_\_.

(If the entity has no FEIN, include the Social Security Number of the individual signing this sworn statement:

\_\_\_\_\_.)

3. My name is \_\_\_\_\_ and my relationship to the  
( please print name of individual signing )  
entity named above is \_\_\_\_\_.

4. I understand that a "public entity crime" as defined in Paragraph 287.133(1)(g), Florida Statutes, means a violation of any state or federal law by a person with respect to and directly related to the transaction of business with any public entity or with an agency or political subdivision of any other state or with the United States, including, but not limited to, any bid or contract for goods or services to be provided to any public entity or an agency or political subdivision of any other state or of the United States and involving antitrust, fraud, theft, bribery, collusion, racketeering, conspiracy, or material misrepresentation.

5. I understand that "convicted" or "conviction" as defined in Paragraph 287.133(1)(b) Florida Statutes, means a finding of guilt or a conviction of a public entity crime, with or without an adjudication of guilt, in any federal or state trial court of record relating to charges brought by indictment or information after July 1, 1989, as a result of a jury verdict, nonjuring trial, or entry of a plea of guilty or nolo contendere.

6. I understand that an "affiliate" as defined in Paragraph 287.133(1)(a), Florida Statutes, means:
1. A predecessor or successor of a person convicted of a public entity crime: or
  2. An entity under the control of any natural person who is active in the management of the entity and who has been convicted of a public entity crime. The term "affiliate" includes those officers, directors, executives, partners, shareholders, employees, members, and agents who are active in the management of an affiliate. The ownership by one person of shares constituting a controlling interest in another person, or a pooling of equipment or income among persons when not for fair market value under an arm's length agreement, shall be a prima facie case that one person controls another person. A person who knowingly enters into a joint venture with a person who has been convicted of a public entity crime in Florida during the preceding 36 months shall be considered an affiliate.
7. I understand that a "person" as defined in Paragraph 287.133(1)(e), Florida Statutes, means any natural person or entity organized under the laws of any state or of the United States with the legal power to enter into a binding contract and which bids or applies to bid on contracts for the provision of goods or services let by a public entity, or which otherwise transacts or applies to transact business with a public entity. The term "person" includes those officers, directors, executives, partners, shareholders, employees, members, and agents who are active in management of an entity.

8. Based on information and belief, the statement which I have marked below is true in relation to the entity submitting this sworn statement. ( Please indicate which statement applies. )

\_\_\_\_\_ Neither the entity submitting this sworn statement, nor any officers, directors, executives, partners, shareholders, employees, members, or agents who are active in management of the entity, nor any affiliate of the entity have been charged with and convicted of a public entity crime subsequent to July 1, 1989.

\_\_\_\_\_ The entity submitting this sworn statement, or one or more of the officers, directors, executives, partners, shareholders, employees, members or agents who are active in management of the entity, or an affiliate of the entity has been charged with and convicted of a public entity crime subsequent to July 1, 1989 AND ( Please indicate which additional statement applies. )

\_\_\_\_\_ There has been a proceeding concerning the conviction before a hearing officer of the State of Florida, Division of Administrative Hearings. The final order entered by the hearing officer did not place the person or affiliate on the convicted vendor list. ( Please attach a copy of the final order. )

\_\_\_\_\_ The person or affiliate was placed on the convicted vendor list. There has been a subsequent proceeding before a hearing officer of the State of Florida, Division of Administrative Hearings. The final order entered by the hearing officer determined that it was in the public interest to remove the person or affiliate from the convicted vendor list. ( Please attach a copy of the final order. )

\_\_\_\_\_ The person or affiliate has not been placed in the convicted vendor list. ( Please describe any action taken by or pending with the Department of General Services. )

By \_\_\_\_\_ ( signature )

Date: \_\_\_\_\_

STATE OF \_\_\_\_\_

COUNTY OF \_\_\_\_\_

PERSONALLY APPEARED BEFORE ME, the undersigned authority,

\_\_\_\_\_ who, after first being sworn by me, affixed his/her signature  
( name of individual signing )

in the space provided above on this \_\_\_\_\_ day of \_\_\_\_\_, 2021.

\_\_\_\_\_  
NOTARY PUBLIC

My commission expires: \_\_\_\_\_

**Section 6**

**DRUG-FREE WORKPLACE**

Florida Statutes on Drug-Free Workplace Programs:

In case of tie bids, preference must be given to vendors submitting a certification with their bid/proposal certifying they have a drug-free workplace in accordance with Section 287.087, Florida Statutes. The drug free certification form below must be signed and returned with your bid.

**DRUG-FREE WORKPLACE CERTIFICATION**

In order to have a drug-free workplace program, a business shall:

Publish a statement notifying employees that the unlawful manufacture, distribution, dispensing, possession, or use of a controlled substance is prohibited in the workplace and specifying the actions that will be taken against employees for violations of such prohibition.

Inform employees about the dangers of drug abuse in the workplace, the business's policy of maintaining a drug-free workplace, any available drug counseling, rehabilitation, and employee assistance programs, and the penalties that may be imposed upon employees for drug abuse violations.

Give each employee engaged in providing the commodities or contractual services that are under bid a copy of the statement specified in the first paragraph.

In the statement specified in the first paragraph, notify the employees that, as a condition of working on the commodities or contractual services that are under bid, the employee will abide by the terms of the statement and will notify the employer of any conviction of, or plea of guilty or nolo contendere to, any violation of chapter 893 or of any controlled substance law of the United States or any state, for a violation occurring in the workplace no later than five (5) days after such conviction.

Impose a sanction on, or require the satisfactory participation in a drug abuse assistance or rehabilitation program if such is available in the employee's community, by any employee who is so convicted.

Make a good faith effort to continue to maintain a drug-free workplace through implementation of this section.

VENDOR NAME: \_\_\_\_\_ BID NO: \_\_\_\_\_

As the person authorized to sign the statement, I certify that this firm complies fully with the above requirements

\_\_\_\_\_  
Vendor's Signature

STATE OF: \_\_\_\_\_

COUNTY OF: \_\_\_\_\_

PERSONALLY APPEARED BEFORE ME, the undersigned authority, \_\_\_\_\_

who, after first being sworn by me, affixed his/her signature in the space provided above on this \_\_\_\_\_ day of \_\_\_\_\_, 2021.

\_\_\_\_\_  
Notary Public

(Affix Seal)

\_\_\_\_\_  
My commission expires